

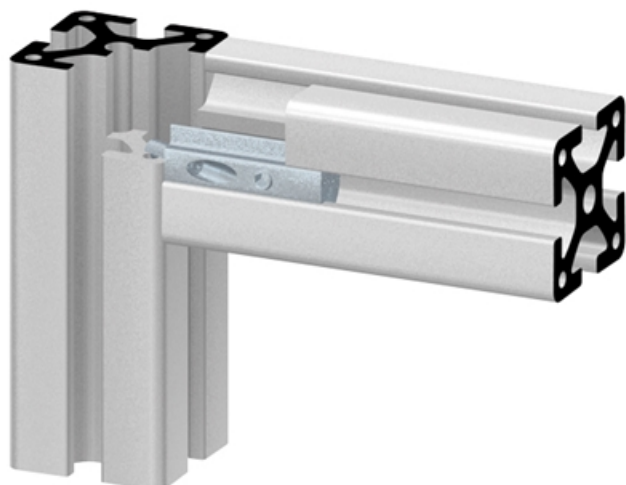
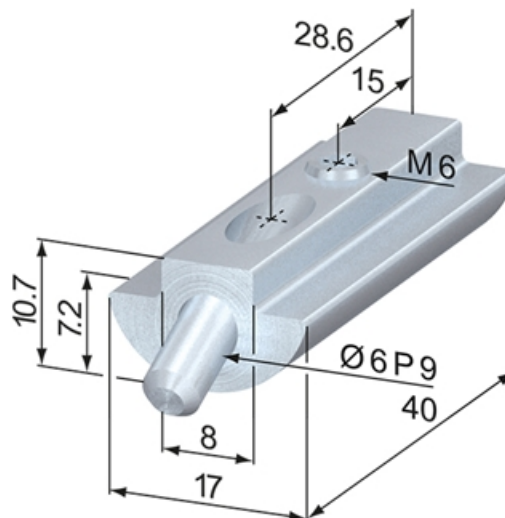
## Doweling T-Nut

### Application:

Prevents movement caused by heavy loads. Can also be used to stop aligned profiles from moving. Resilience against movement per element – up to 3kN.

**Material:** Steel, zinc-plated

**System:** 40



## Variant Data

Designation	Weight (g)
SV2070V	35