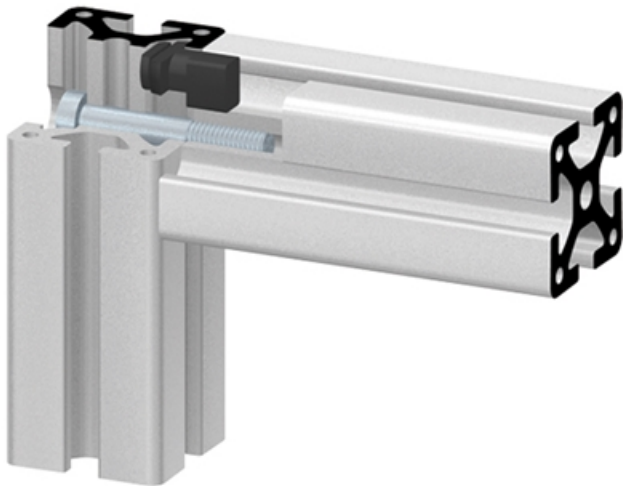
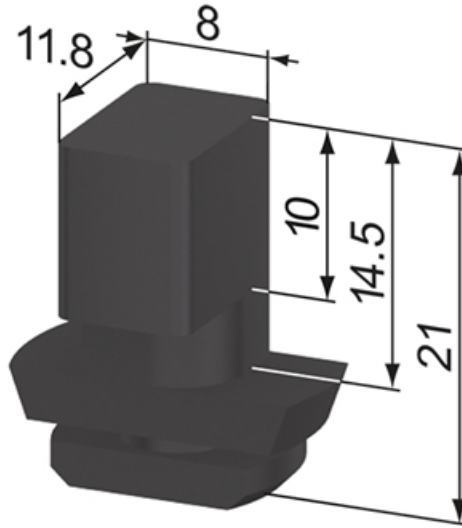


Locator Block

Application:
Installation accessory and anti-twist feature device for simple screw and central fastener connections in the 40 profile range.

Material: PA, black
System: 40



Variant Data

Designation	Weight (g)
SZ3000S	3