

Central Fastener 40 EVLS / EVQS

Application:

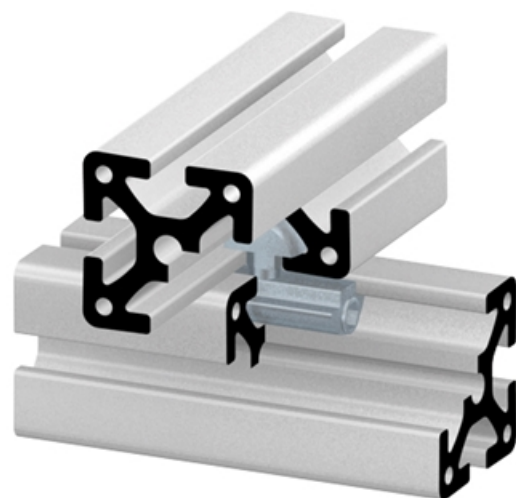
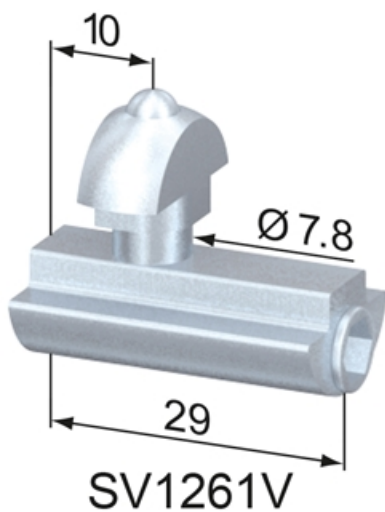
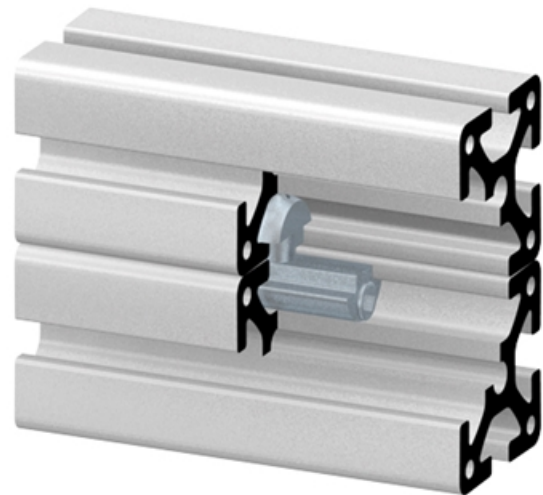
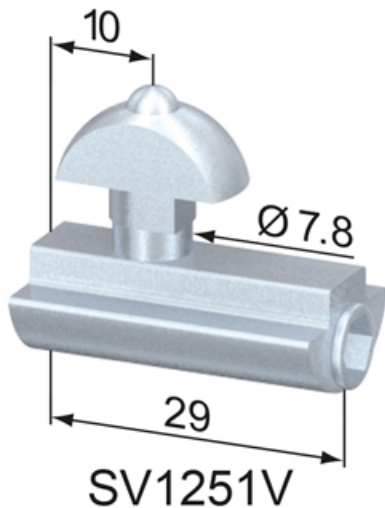
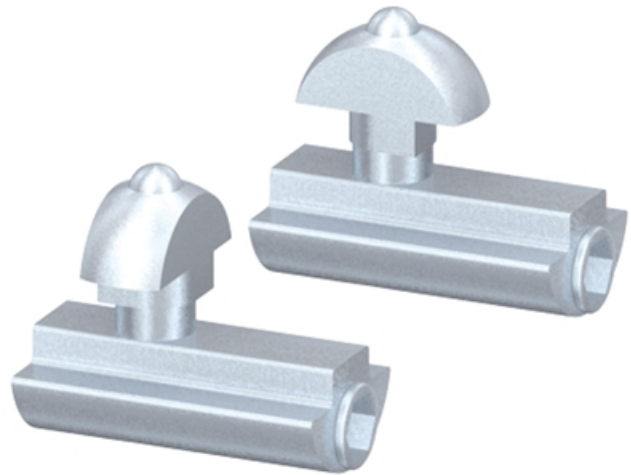
Suitable for 90° and parallel profile connections. The anchor can be twisted into the profile t-slot at any point. No drilling required.

Assembly:

Slide or twist in anchor into the t-slot profile which is to be connected. Slide or twist in t-nut portion into the t-slot from the end of the profile. Lock in anchor with set screw located in t-nut portion of fastener.

Material: Steel, zinc-plated

System: 40



General Data

Designation	Description	Weight (g)
SV1251V	Central Fastener 40 EVLS	32
SV1261V	Central Fastener 40 EVQS	32