

Central Fastener 40 SPS / SVPS

Application:

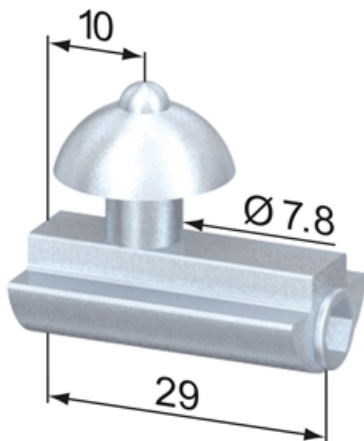
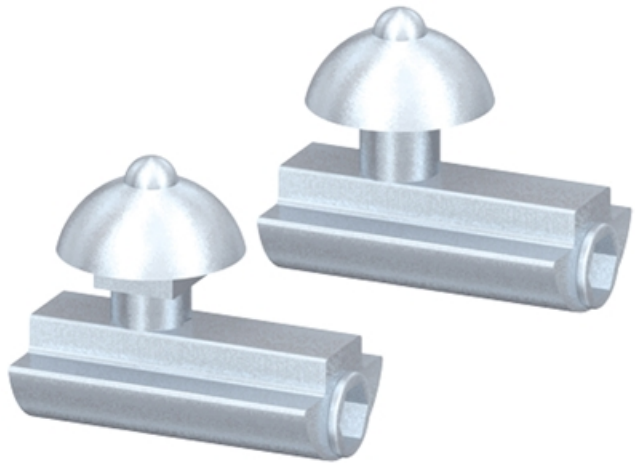
All purpose universal fastener. The anchor must be positioned in the profile t-slot from the end of the profile and is held in position by a spring-loaded ball. The Central Fastener 40 SVPS has an anti-twist feature. No drilling required.

Assembly:

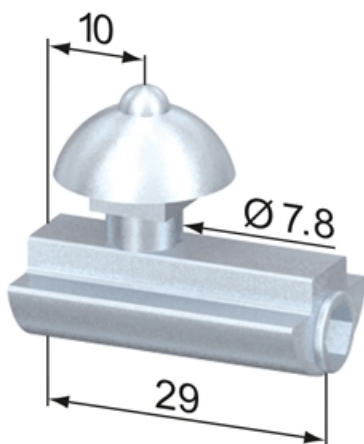
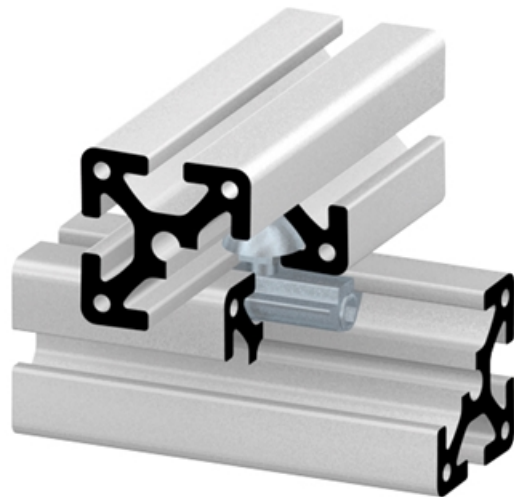
Slide anchor into the t-slot profile which is to be connected. Slide t-nut portion of into the t-slot from the end of the profile. Lock in anchor with set screw located in t-nut portion of fastener.

Material: Steel, zinc-plated

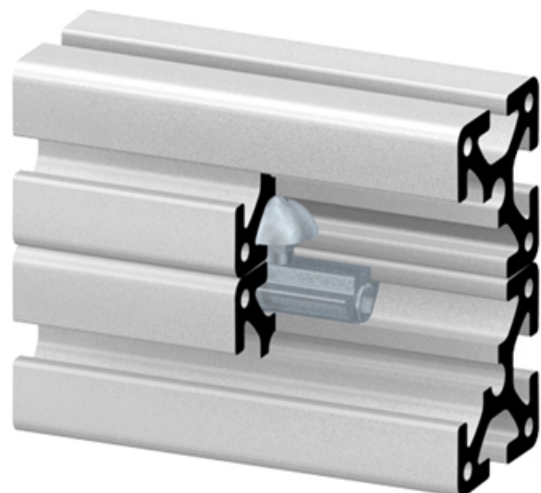
System: 40



SV1231V



SV1241V



General Data

Designation	Description	Weight (g)
SV1231V	Central Fastener 40 SPS	35
SV1241V	Central Fastener 40 SVPS	35