

Central Fastener 40 GC / GCV

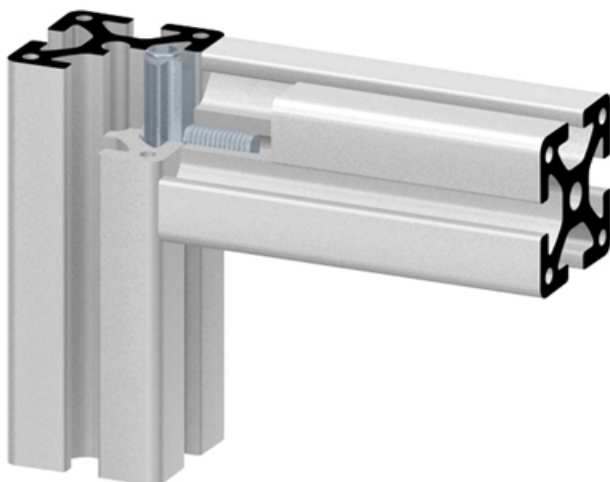
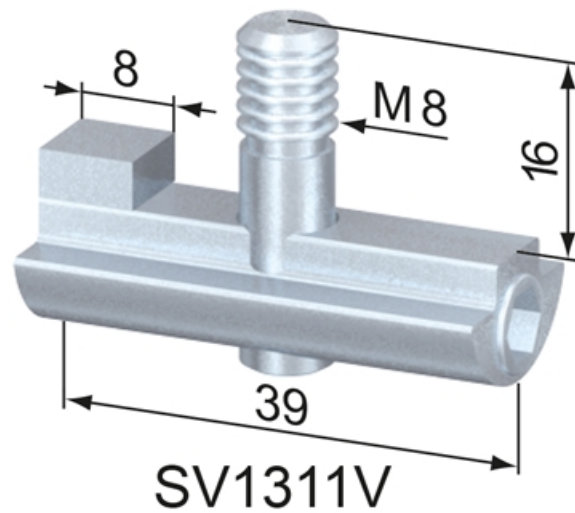
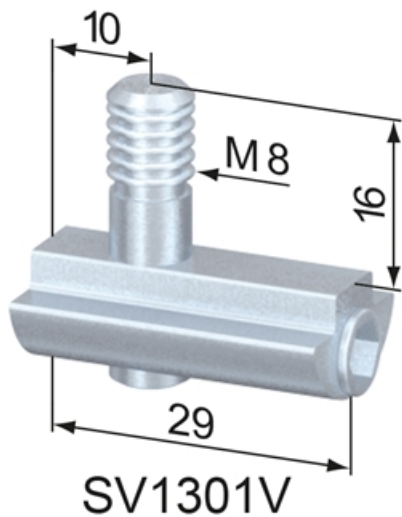
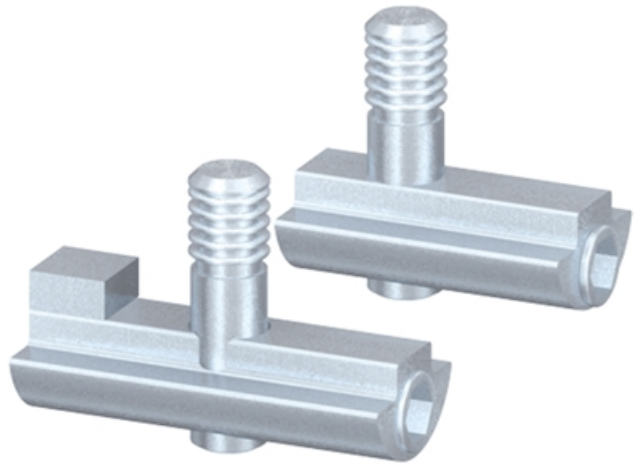
Application:

All-purpose universal fastener. Uses a slide-in t-nut with locking grub screw. The anchor with M8 thread is screwed into the opposing profile. The Central Fastener 40 GCV includes an anti-twist feature.

Assembly:

Slide t-nut portion into the t-slot from the end of the profile. Tap center hole of mating profile with an M8 thread and screw in threaded anchor. Twist to orient indented portion of fastener so that it is facing the same direction as the barrel housing.

System: 40



General Data

Designation	Description	Weight (g)
SV1301V	Central Fastener 40 GC	30.7
SV1311V	Central Fastener 40 GCV	40.8