

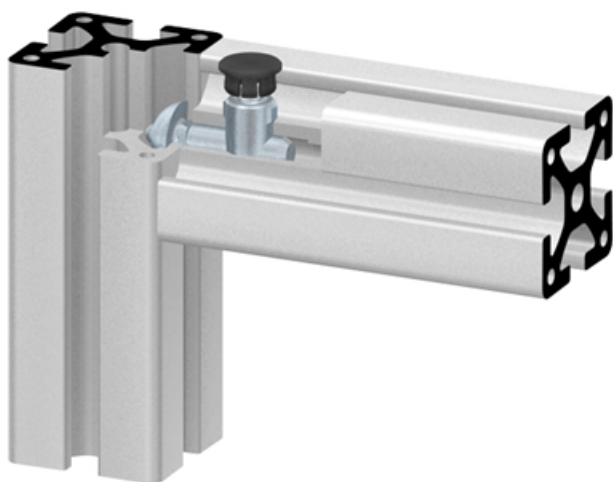
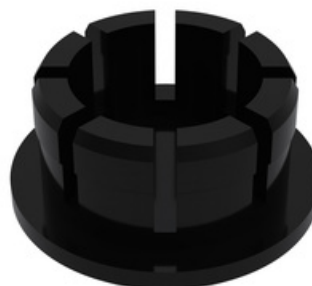
Profile Cap for SV drillings

Application:

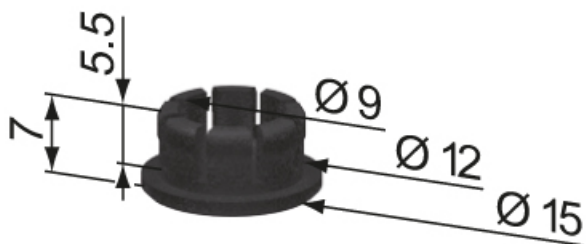
For covering profile drillings that occur by assembling SV fasteners.

System: 40 - Slot 8

Type: Fasteners; Caps



General Data



Designation	Description	System
RT1157	Profile Cap for SV drillings	40 - Slot 8