

## Central Fastener 40 135°

**Application:**

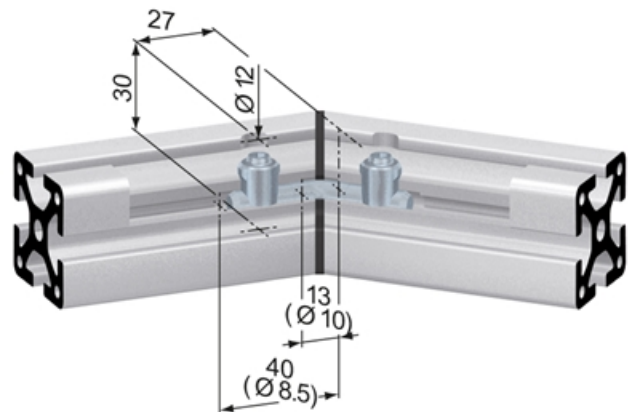
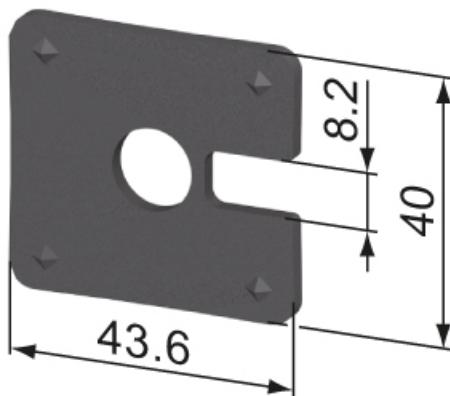
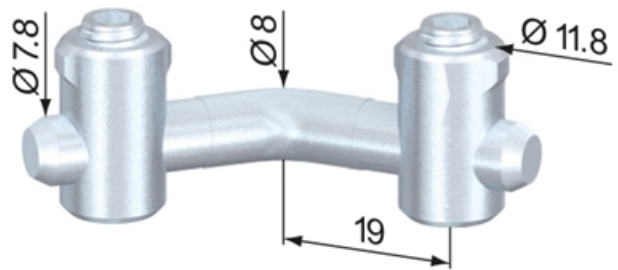
Fastener for 45° mitered joint, cut angle is 67,5°.

**Assembly:**

Bore hole for the barrel housing (2x): Ø 12 mm, 27 mm from profile end, 30 mm deep

Bore for center hole on end of profile for anchor (2x): Ø 8.5 mm, 40 mm deep; Ø 10 mm, 26 mm deep

**System:** 40



## General Data

Designation	Description	Material	Weight (g)
SV1645V	Central Fastener 40 135°	Steel, zinc-plated	42
SV1665V	Plastic Corner 40 135°	POM, black	6