

Central Fastener 40 120°

Application:

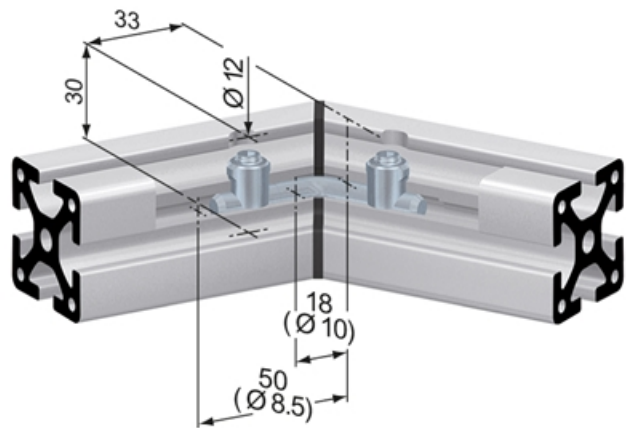
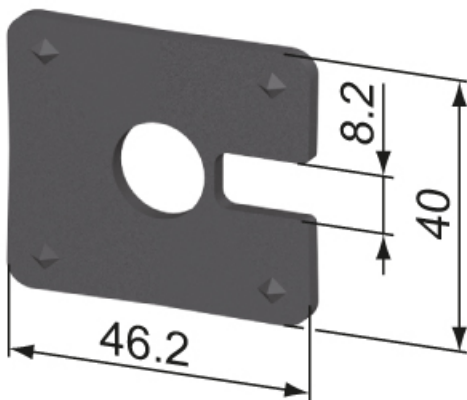
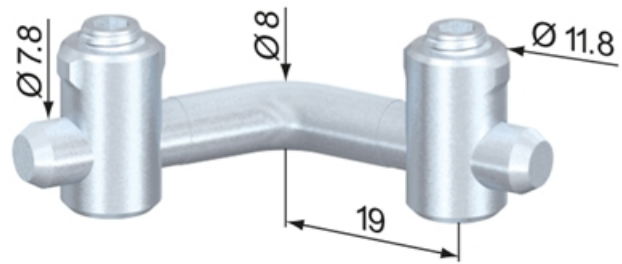
Fastener for 60° mitered joint, cut angle is 60°

Assembly:

Bore hole for the barrel housing (2x): Ø 12 mm, 33 mm from profile end, 30 mm deep.

Bore for center hole on end of profile for anchor (2x): Ø 8.5 mm, 50 mm deep; Ø 10 mm, 26 mm deep.

System: 40 - Slot 8



General Data

| Designation | Description | Material | Weight (g) |
|-------------|--------------------------|--------------------|------------|
| SV1640V | Central Fastener 40 120° | Steel, zinc-plated | 40 |