

## Central Fastener 40 90°

**Application:**

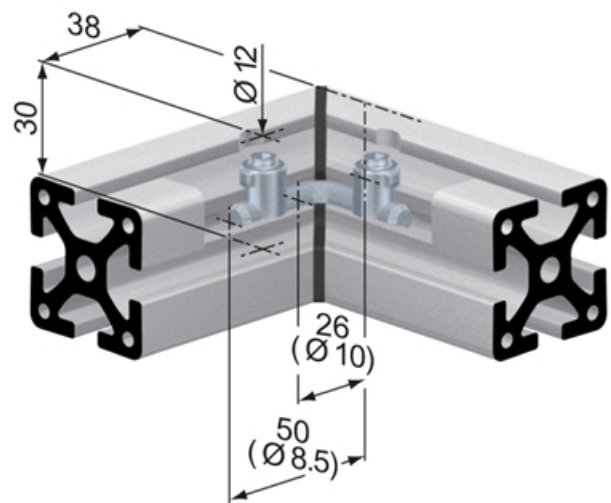
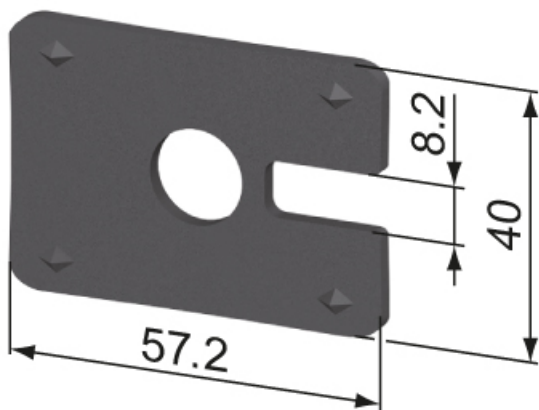
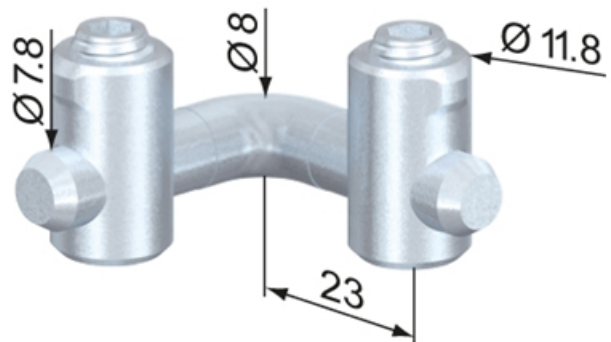
Fastener for 90° mitered joint, cut angle is 45°

**Assembly:**

Bore hole for the barrel housing (2x): Ø 12 mm, 38 mm from profile end, 30 mm deep.

Bore for center hole on end of profile for anchor (2x): Ø 8.5 mm, 50 mm deep; Ø 10 mm, 26 mm deep.

**System:** 40



## General Data

Designation	Description	Material	Weight (g)
SV1650V	Central Fastener 40 90°	Steel, zinc-plated	42
SV1660V	Plastic Corner 40 90°	POM, black	8