

## Central Fastener G 30 SS / G 45 SS

**Application:**

The anchor is screwed into the t-nut at either 30° or 45°. Special angles are available on request.

**Assembly:**

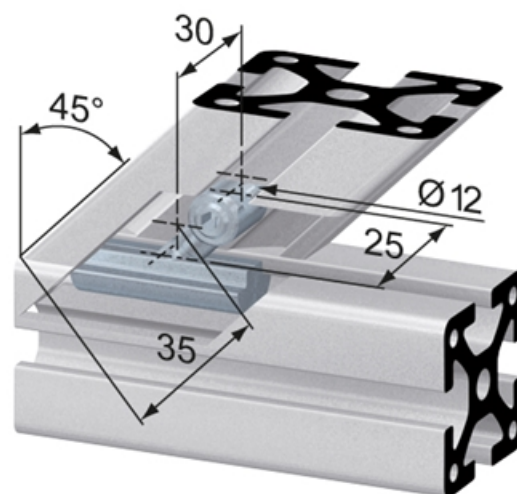
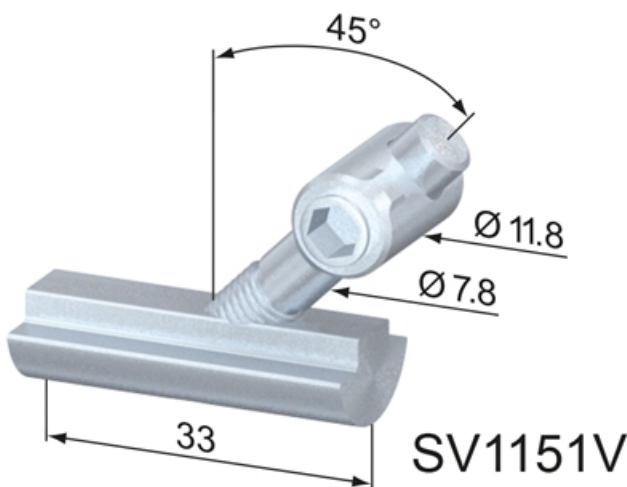
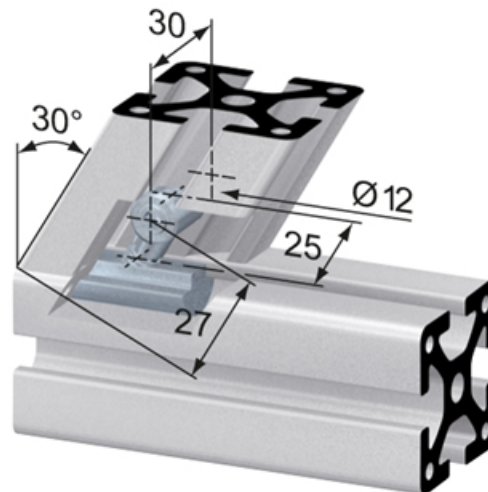
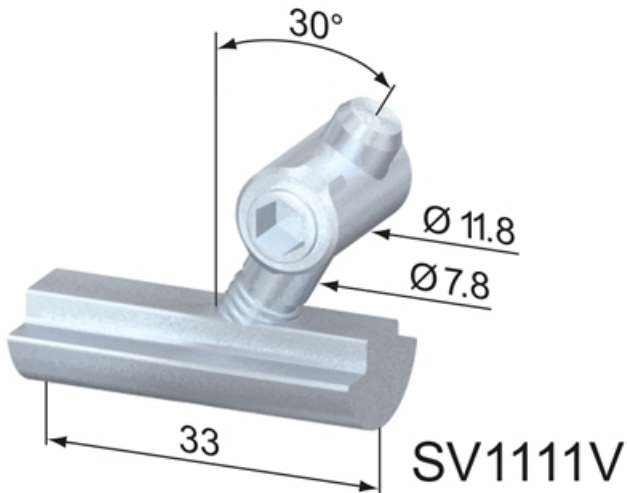
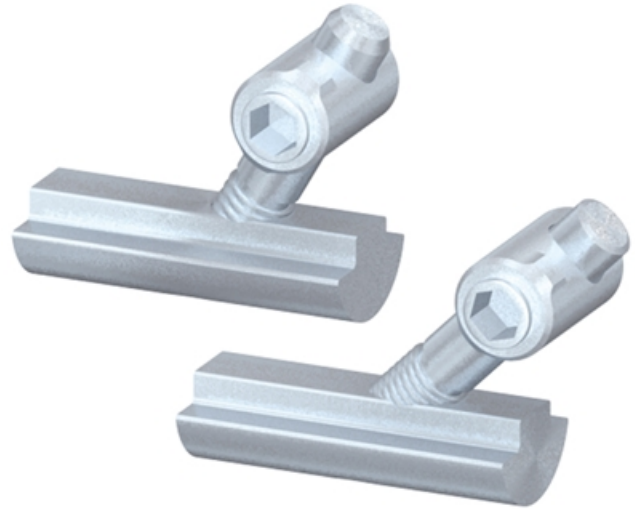
Bore hole for the barrel housing: Ø 12 mm, 27 mm (35 mm) from profile end, 30 mm deep.

Bore for center hole on end of profile for anchor: Ø 8.5 mm, 25 mm deep.

**Material:** Steel, zinc-plated

**System:** 40 - Slot 8

**Type:** Fasteners



## General Data

Designation	Description	System	Weight (g)
SV1111V	Central Fastener G 30 SS	40 - Slot 8	56
SV1151V	Central Fastener G 45 SS	40 - Slot 8	57