

Central Fastener 40 G

Application:

Butt fastener. Used for joining two profiles end to end or for frontal attaching of plates. The anchor is screwed into the opposing profile or plate.

Assembly:

Bore hole for the barrel housing: Ø 12 mm, 15 mm from profile end, 30 mm deep.

Bore for center hole on end of profile for anchor: Ø 8.5 mm, 25 mm deep.

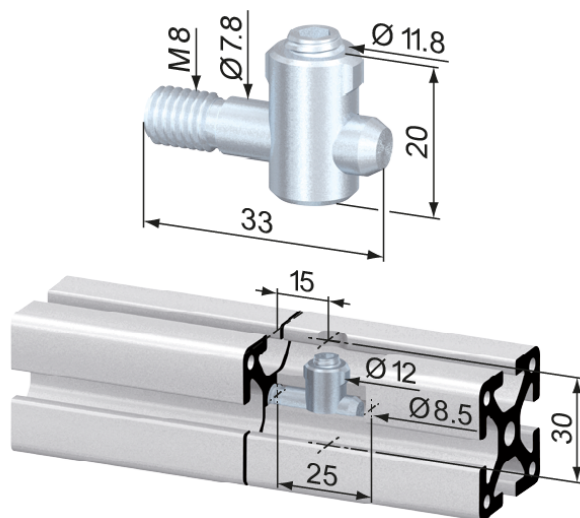
Material: Steel, zinc-plated

System: 40 - Slot 8

Type: Fasteners



General Data



Designation	System	Weight (g)
SV1071V	40 - Slot 8	22