

Central Fastener 40 G

Application:

Butt fastener. Used for joining two profiles end to end or for frontal attaching of plates. The anchor is screwed into the opposing profile or plate.

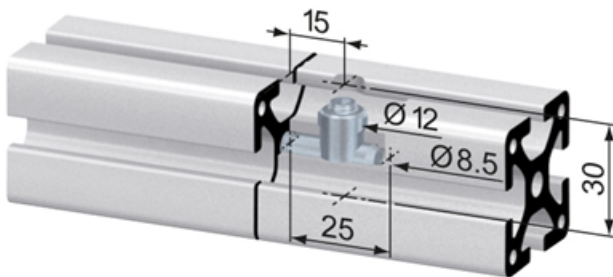
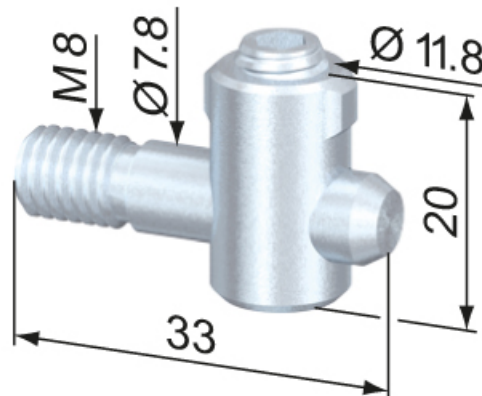
Assembly:

Bore hole for the barrel housing: $\varnothing 12$ mm, 15 mm from profile end, 30 mm deep.

Bore for center hole on end of profile for anchor: $\varnothing 8.5$ mm, 25 mm deep.

Material: Steel, zinc-plated

System: 40



General Data

Designation	Weight (g)
SV1071V	22