

Central Fastener 40 SL / SVL

Application:

Special applications. The slide-in anchor, with an anti-twist feature, can be fixed in the profile t-slot at any point. The anchor is held in position by a spring-loaded ball in the opposing profile t-slot. The SVL fastener has an anti-twist feature. Both fasteners can be used for parallel and transverse connections.

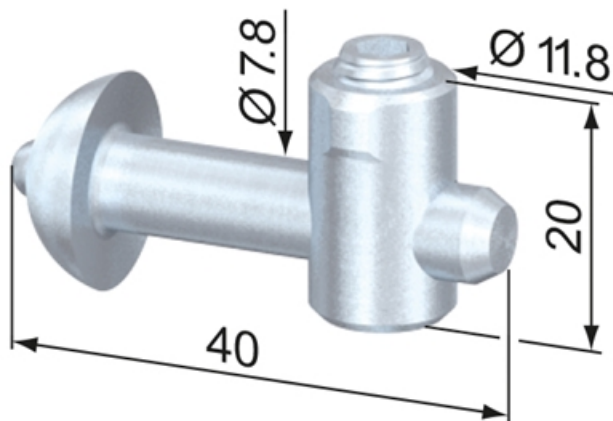
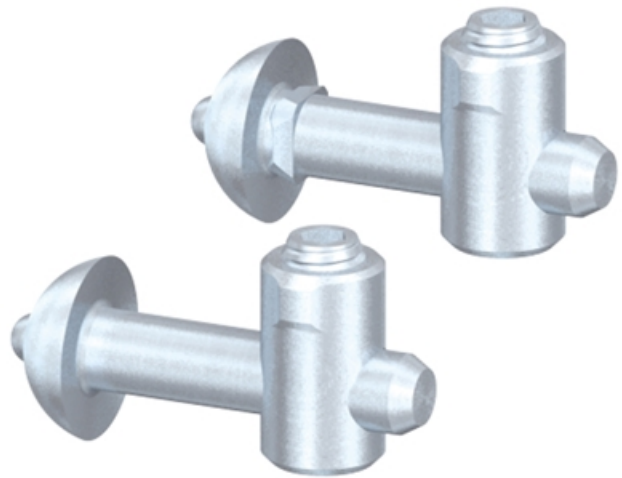
Assembly:

Bore hole for the barrel housing: $\varnothing 12$ mm, 20 mm from profile end, 30 mm deep.

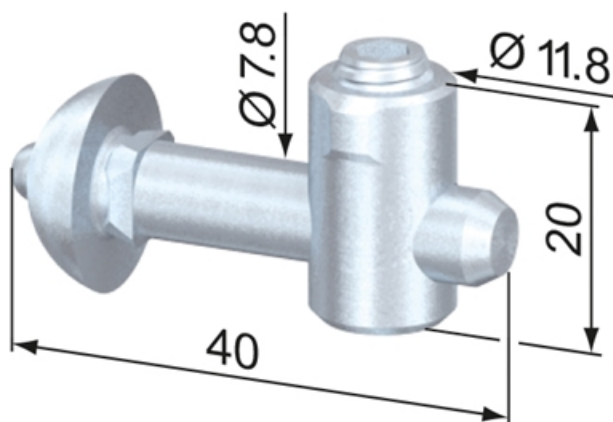
Bore for anchor in the profile: $\varnothing 8.5$ mm, 20 mm from profile end, 25 mm deep.

Material: Steel, zinc-plated

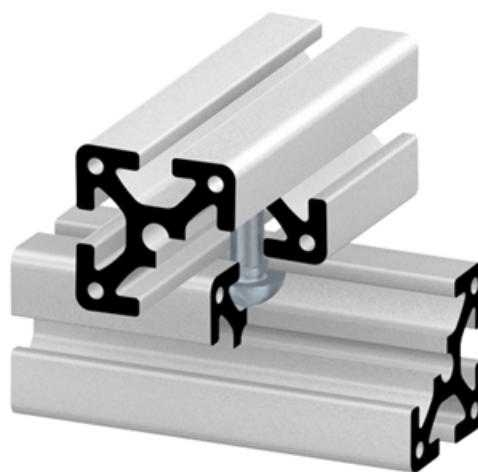
System: 40



SV1213V



SV1221V



General Data

Designation	Description	Weight (g)
SV1213V	Central Fastener 40 SL	30
SV1221V	Central Fastener 40 SVL	31