

## Central Fastener 40 EL / EQ

**Application:**

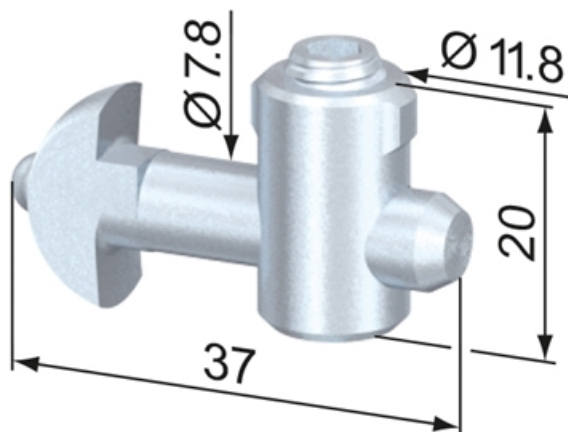
All-purpose universal fastener. The twist-in anchor, with an anti-twist feature, can be fixed in the profile groove at any point. The anchor is held in position by a spring-loaded ball in the opposing profile t-slot.

**Assembly:**

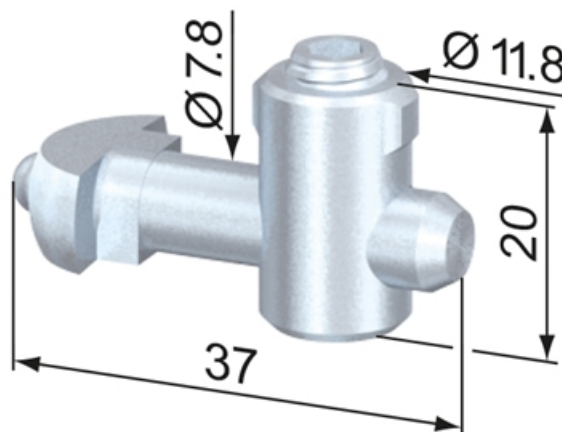
Bore hole for the barrel housing:  $\varnothing 12$  mm, 15 mm from profile end, 30 mm deep.

Bore for center hole on end of profile for anchor:  $\varnothing 8.5$  mm, 25 mm deep.

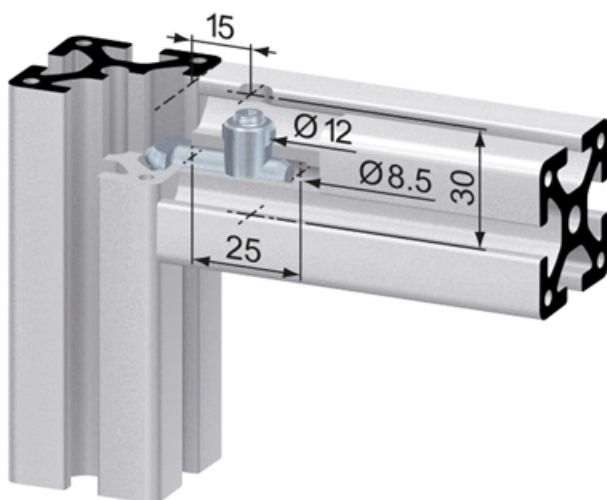
**System:** 40



SV1011V



SV1021V



## General Data

Designation	Description	Material	Weight (g)
SV1011V	Central Fastener 40 EL	Steel, zinc-plated	26
SV1351V	Central Fastener 40 EL VA	Stainless steel	26
SV1021V	Central Fastener 40 EQ	Steel, zinc-plated	26
SV1352V	Central Fastener 40 EQ VA	Stainless steel	26