

Standard Fastening Set

Application:

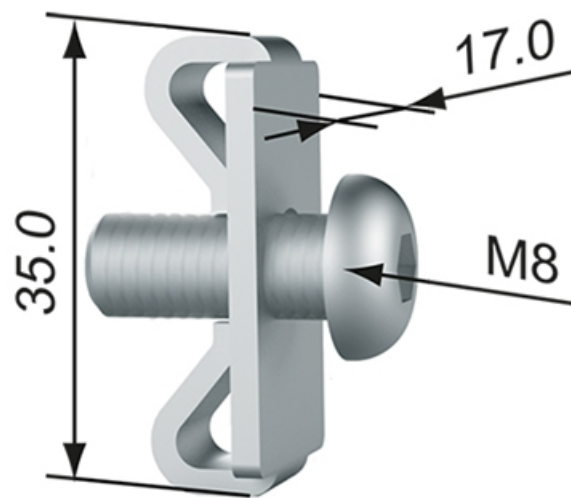
An inexpensive and simple connection for two profiles. Teeth crack the anodized coating and create a reliable and conductive link. A fixed joint similar to SV1900V this connector comes instead as a set including screw and anti-rotation element.

Supply:

1 x ISO 7380 M8x20 fillister head screw

Material: Steel, galvanised

System: 40



General Data

Designation	Torque (Nm)	Weight (g)
PV1022	25	14