

## Standard Connector 40

### Application:

An inexpensive and simple connection for profiles. The t-slot is not deformed when the joint is made, giving greater stability to the joint. At the same time, the fastener guarantees no twisting of the joined profiles.

### Assembly:

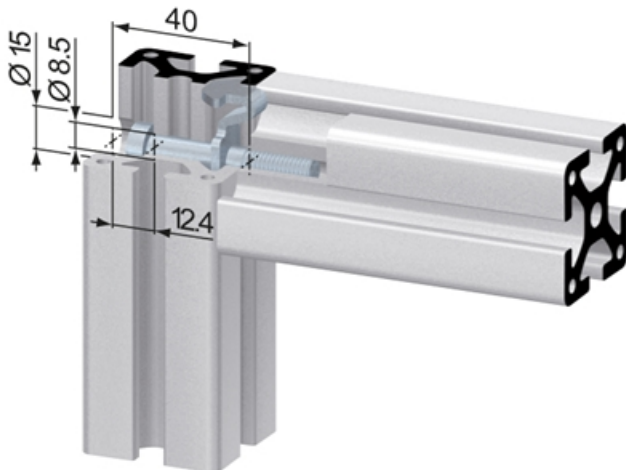
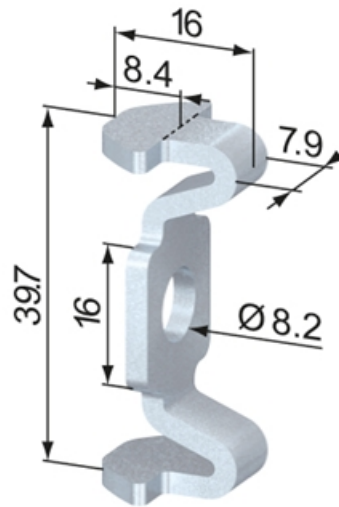
Bore hole for Km 8:  $\varnothing 8.5$  mm, 20 mm from the profile end, 40 mm deep.

Bore for cap screw head:  $\varnothing 15$  mm, 20 mm from the profile end, 12.4 mm deep.

Tap center hole of mating profile with an M8 thread.

**Material:** Steel, zinc-plated

**System:** 40



## General Data

Designation	Weight (g)
SV1900V	14