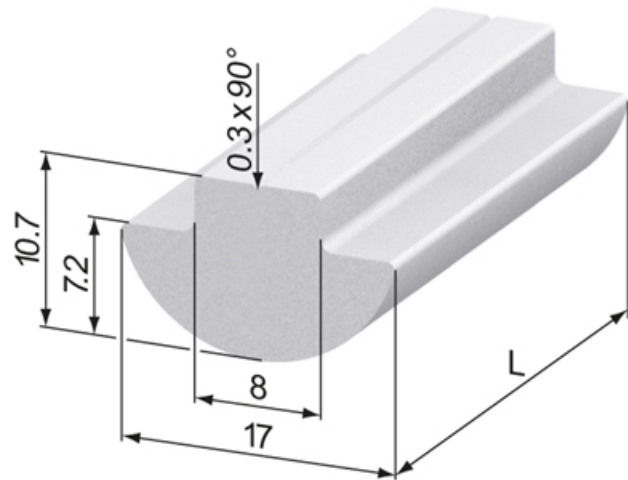


T-Nut Profile, aluminium, slide-in

Application:
For manufacturing t-nuts, maximum tapping size M8.

Material: Aluminium, natural anodized
System: 40



T-Nuts, slide-in



T-Nuts, push-in



T-Slot Strength

Information in regards to the maximum allowable t-slot load capability F. These values already include a safety factor (S > 2) against plastic deformation.

| Profile type | Max. pull charge F |
|--------------|--------------------|
| standard | 5000 N |
| double br. | 3250 N |
| semi | 2500 N |
| light | 2000 N |
| superlight | 1750 N |



General Data

| Designation | Weight (g/m) |
|-------------|--------------|
| SV2570N | 332 |