

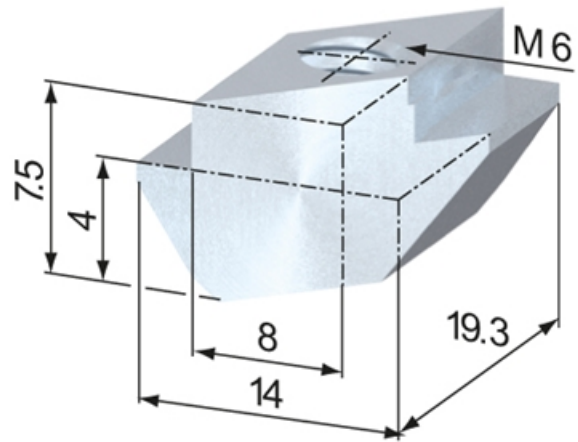
Square T-Nuts

Application:

T-nut for swiveling into the t-slot. Fits into the t-slot at any point.

Material: GDZn (zinc die casting)

System: 40



T-Nuts, slide-in



T-Nuts, push-in



T-Slot Strength

Information in regards to the maximum allowable t-slot load capability F. These values already include a safety factor (S > 2) against plastic deformation.

Profile type	Max. pull charge F
standard	5000 N
double br.	3250 N
semi	2500 N
light	2000 N
superlight	1750 N



General Data

Designation	Thread
SV2178N	M4
SV2179N	M5
SV2180N	M6