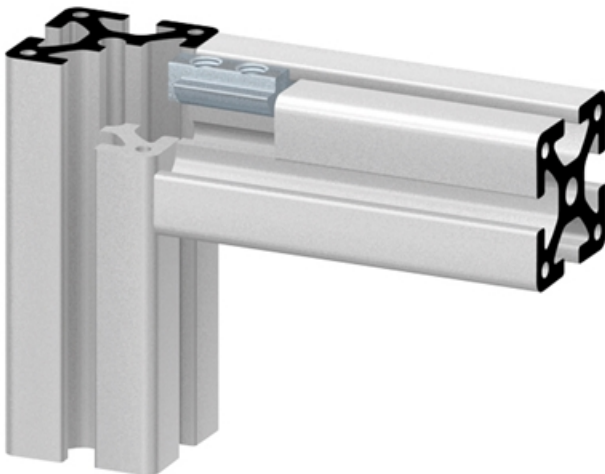
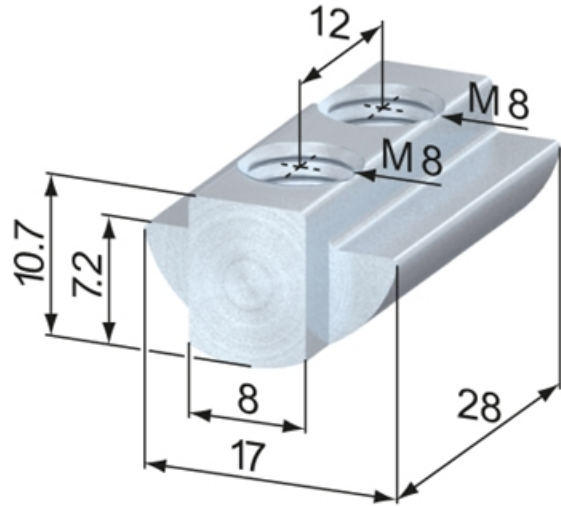


## Special T-Nut

**Application:**  
Provides anti-twist security used for heavy loads.

**Material:** Steel, zinc-plated  
**System:** 40



T-Nuts, slide-in



T-Nuts, push-in



**T-Slot Strength**

Information in regards to the maximum allowable t-slot load capability F. These values already include a safety factor (S > 2) against plastic deformation.

Profile type	Max. pull charge F
standard	5000 N
double br.	3250 N
semi	2500 N
light	2000 N
superlight	1750 N



## General Data

Designation	Weight (g)
SV2060V	21