

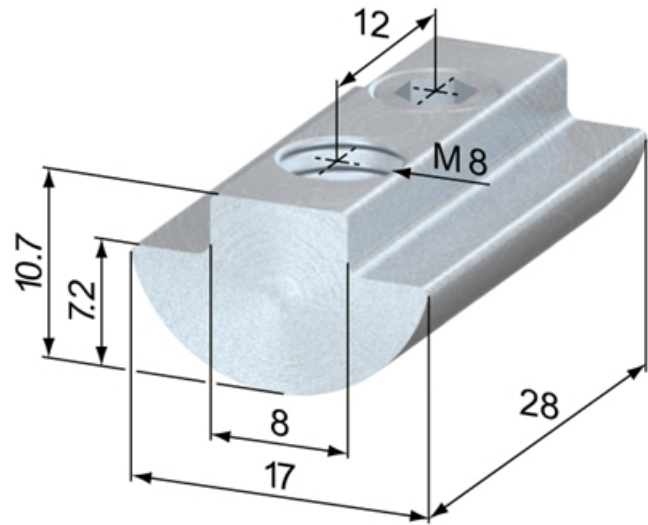
## T-Nuts, slide-in

### Application:

Slides in the t-slot from the end of the profile and is locked into position by a grub screw. The wide supporting surface of the t-nut makes it suitable for higher fastening forces.

**Material:** Steel, zinc-plated

**System:** 40



T-Nuts, slide-in



T-Nuts, push-in



### T-Slot Strength

Information in regards to the maximum allowable t-slot load capability F. These values already include a safety factor (S > 2) against plastic deformation.

Profile type	Max. pull charge F
standard	5000 N
double br.	3250 N
semi	2500 N
light	2000 N
superlight	1750 N



## General Data

Designation	Thread	Weight (g)
SV2050V	M5	26
SV2051V	M6	24
SV2052V	M8	21