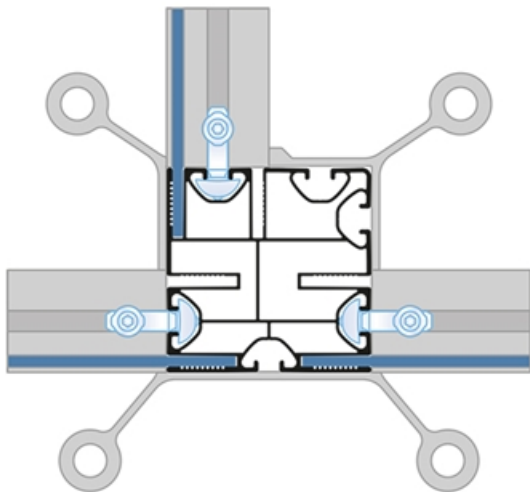
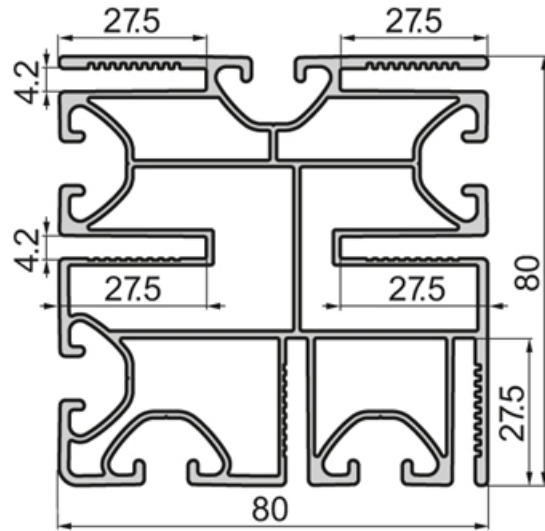


## SP6330N – Protection Wall Support Leg Profile 80x80

Panel thickness 4 mm.

**System:** 40

**Dimensions:** 80x80



## Variant Data

Designation	Ix (cm <sup>4</sup> )	Iy (cm <sup>4</sup> )	Wx (cm <sup>3</sup> )	Wy (cm <sup>3</sup> )	A (cm <sup>2</sup> )
SP6330N	88.41	87.72	21.58	21.66	12.51

Designation	Mass (kg/m)
SP6330N	3.38