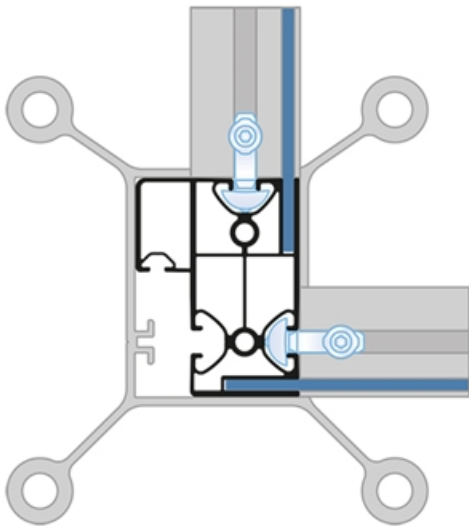
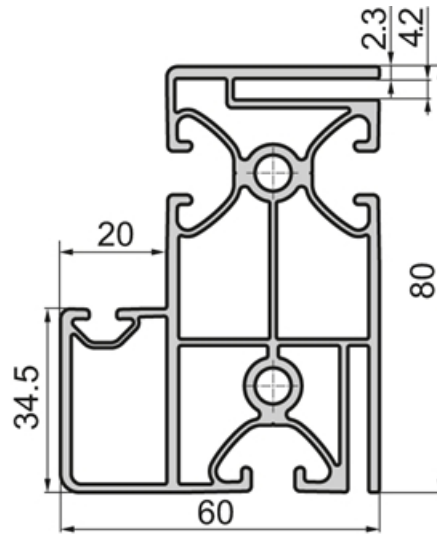


SP6380N – Protection Wall Support Leg Door Profile 60x80

Panel thickness 4 mm.

System: 40

Dimensions: 60x80



Variant Data

Designation	Ix (cm ⁴)	Iy (cm ⁴)	Wx (cm ³)	Wy (cm ³)	A (cm ²)
SP6380N	65.37	29.27	15.46	8.18	9.85

Designation	Mass (kg/m)
SP6380N	2.66