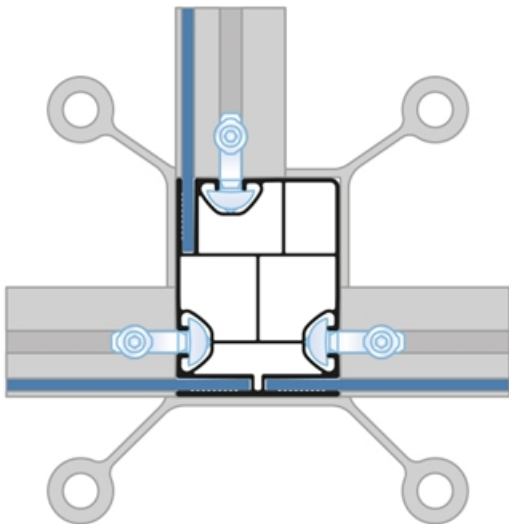
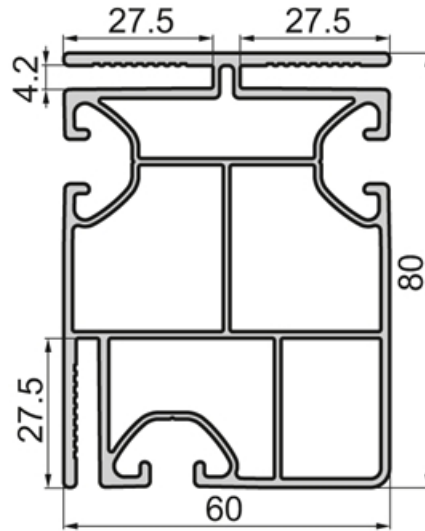


SP6370N – Protection Wall Support Leg Profile 60x80

Panel thickness 4 mm.

System: 40

Dimensions: 60x80



Variant Data

Designation	Ix (cm ⁴)	Iy (cm ⁴)	Wx (cm ³)	Wy (cm ³)	A (cm ²)
SP6370N	70.71	38.18	16.44	12.10	9.16

Designation	Mass (kg/m)
SP6370N	2.47