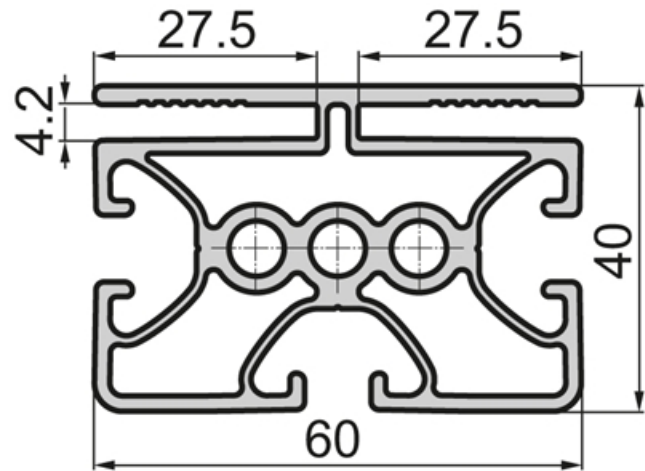


## SP6360N – Protection Wall Profile 40/4 180°

Panel thickness 4 mm.

**System:** 40

**Dimensions:** 40x60



## General Data

| Designation | Ix (cm <sup>4</sup> ) | Iy (cm <sup>4</sup> ) | Wx (cm <sup>3</sup> ) | Wy (cm <sup>3</sup> ) | A (cm <sup>2</sup> ) |
|-------------|-----------------------|-----------------------|-----------------------|-----------------------|----------------------|
| SP6360N     | 12.66                 | 24.57                 | 6.00                  | 8.18                  | 7.47                 |

| Designation | Mass (kg/m) |
|-------------|-------------|
| SP6360N     | 2.02        |