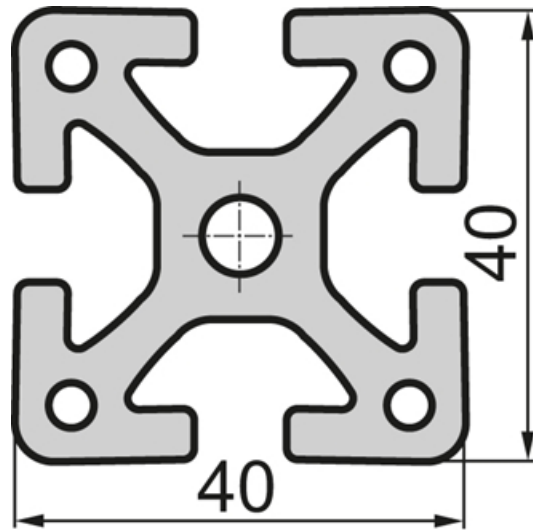
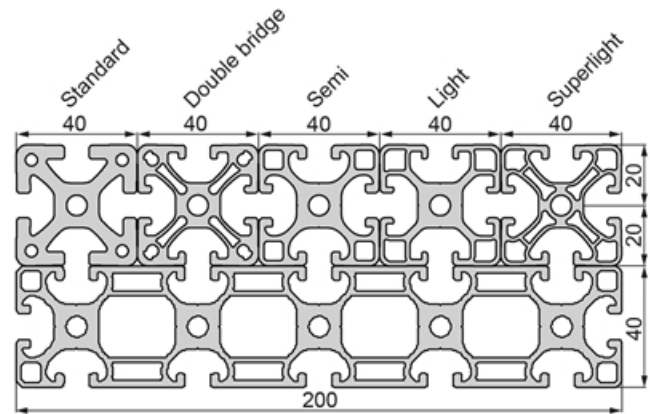
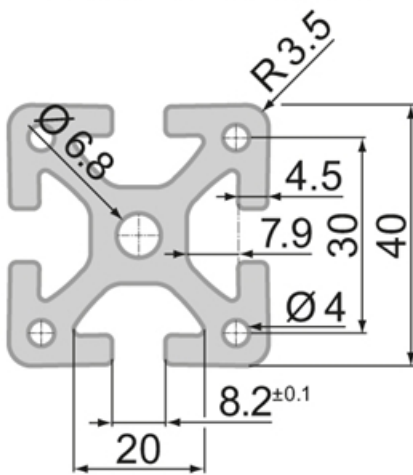


Profile 40x40

System: 40
Dimensions: 40x40



Profile 40 Standard



Variant Data

Designation	Ix (cm ⁴)	Iy (cm ⁴)	Wx (cm ³)	Wy (cm ³)	A (cm ²)
SP4000N	12.91	12.91	6.46	6.46	8.49

Designation	Mass (kg/m)
SP4000N	2.30