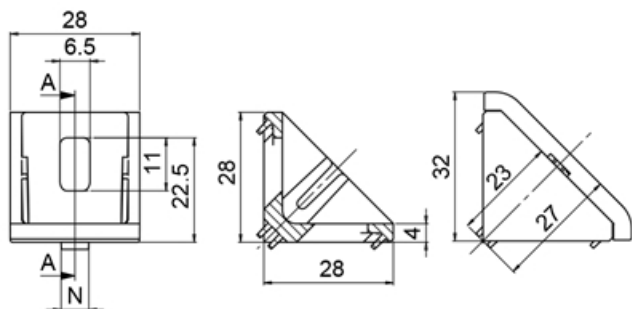
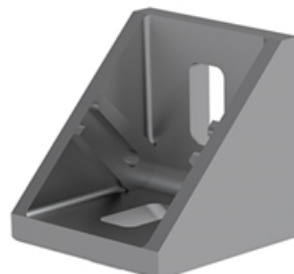


Angle Set 6 30x30

To connect two aluminum profiles or panels at right angles.
The connection angle can be closed with the cover cap.
Assembly set includes 1 Cover cap - Plastic PA - black, 2
T-slot nuts - slot 6 - M6, 2 Screws ISO 7380 - M6 × 12

Material: Die-cast zinc. Cover cap, plastic PA glass fiber reinforced. Assembly set, steel.

System: 6



Variant Data

Designation	Description	Slot	Weight (g)	Colour
PZ3070	Angle Set 6 30x30 Screw M6x12	6	68	Cover cap black