

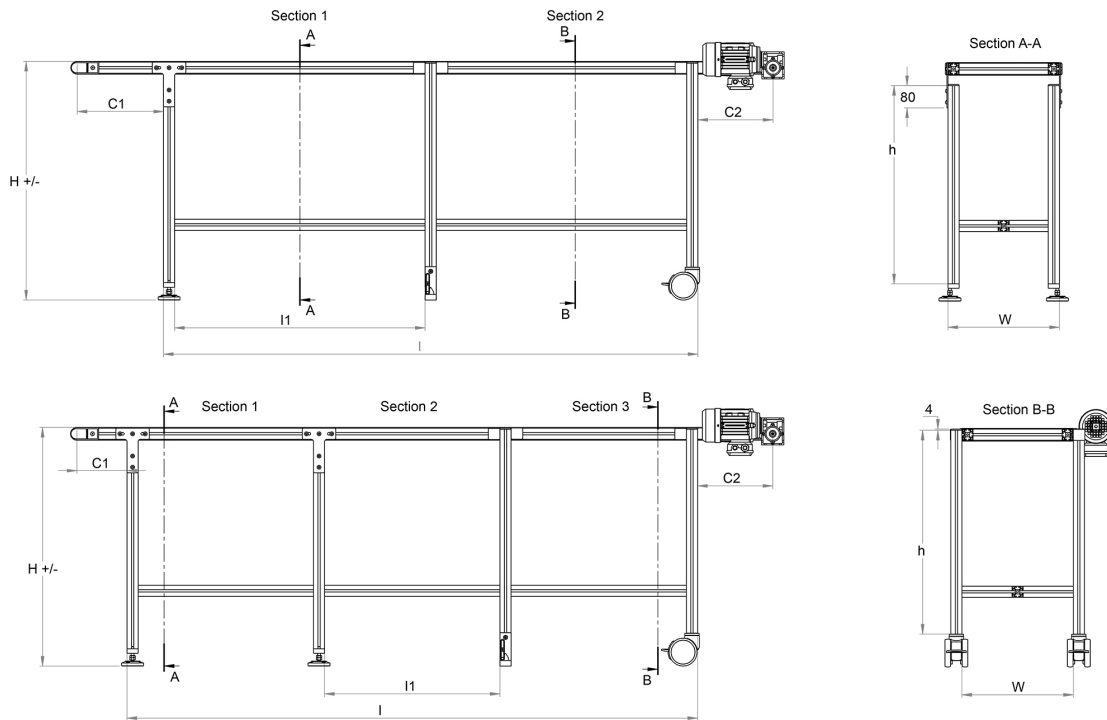
Conveyor Stands

We can provide stands for the belt conveyors. The stands are made from aluminium profiles, guaranteed 100% compatible with the conveyor and are made to order. Available with adjustable feet, fixable feet or wheels.

The stands can be fitted with various covers/hoods. Please contact us for further information.



Variant Data



Designation	Remark
Conveyor stand	All stands are made to order. Contact us for information.