

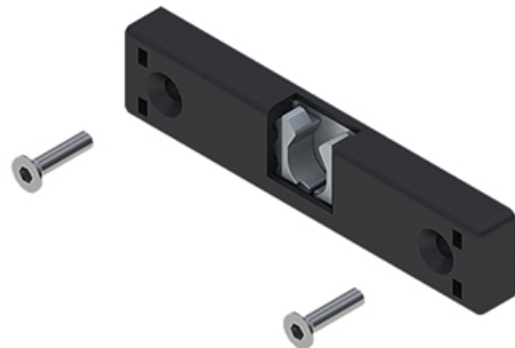
Door Latch

Low-profile door latch for use in the gap of swing doors. Its low height allows you to narrow down the door gap to 12 mm. The door latch snaps onto the head of a M6 cheese head screw (DIN912) which screws into a slot nut and, together with the slot nut, into the bottom of the opposite slot.

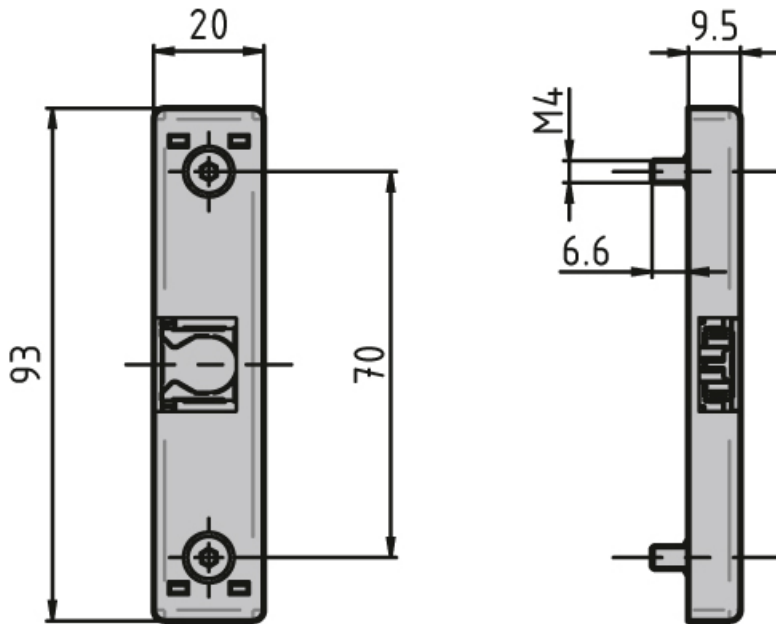
Match slots 6.

Material: Door latch; Die-cast zinc
Cover plate: Black plastic (PA)

System: 6; 40



Variant Data



Designation	Description	Slot
PZ5059	Door latch and cover plate	6