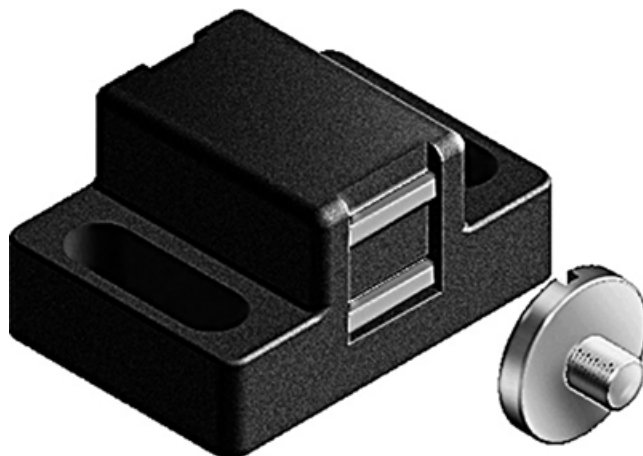


Magnetic Catch

Easy closing of sliding and swing doors.
Adapts to the thickness of surface elements.

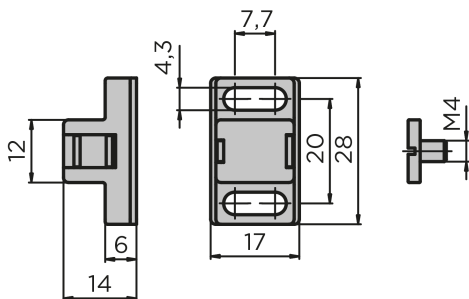
Mount Slot 5: by M4 × 5 screw (DIN921), galvanised steel
Mount Slot 8: by M5 × 6 screw (DIN921), galvanised steel

Material: Black plastic (PA), fibreglass-reinforced
System: 40; 6; 5

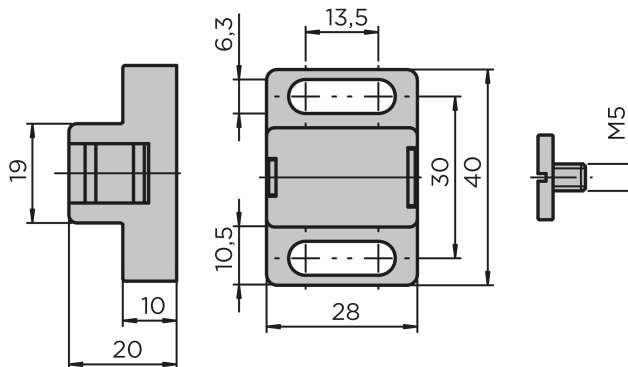


Variant Data

Slot 5



Slot 8



Designation	Description	Slot	Locking force (N)
PZ5057	Magnetic catch	5	Approx. 5 (front) / 3 (back)
PZ1610	Magnetic catch	8	Approx. 20 (front) / 10 (back)