

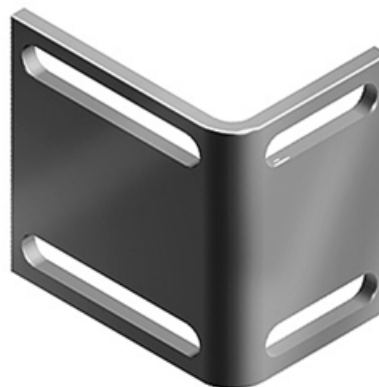
## Ball Catch Mounting Bracket

Lets you install the ball catch at any point.

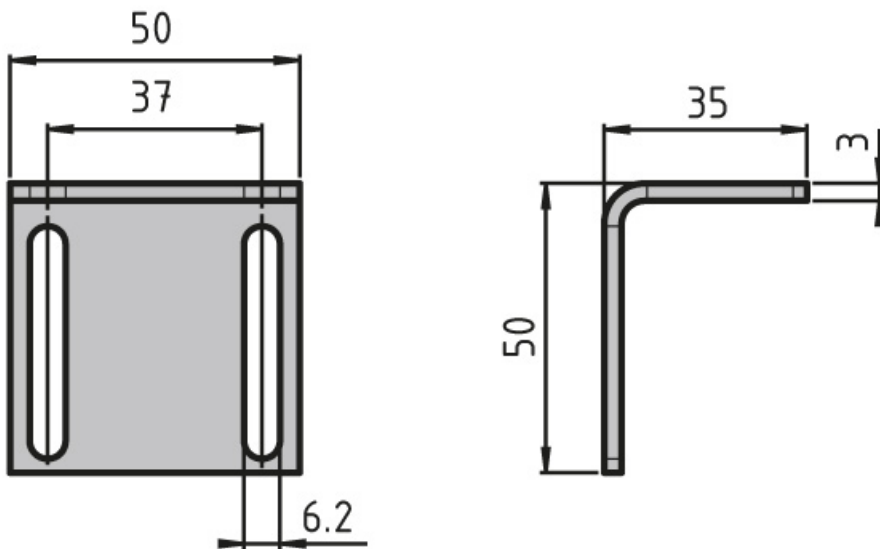
Mounting instruction: ESD-ready only if using notched slot nuts.

**Material:** Galvanised steel

**System:** 40; 6; 5



## Variant Data



Designation	Description
PZ5056	Ball catch mounting bracket