

Ball Catch

Quick acting door opener; adapts to the surface element thickness.

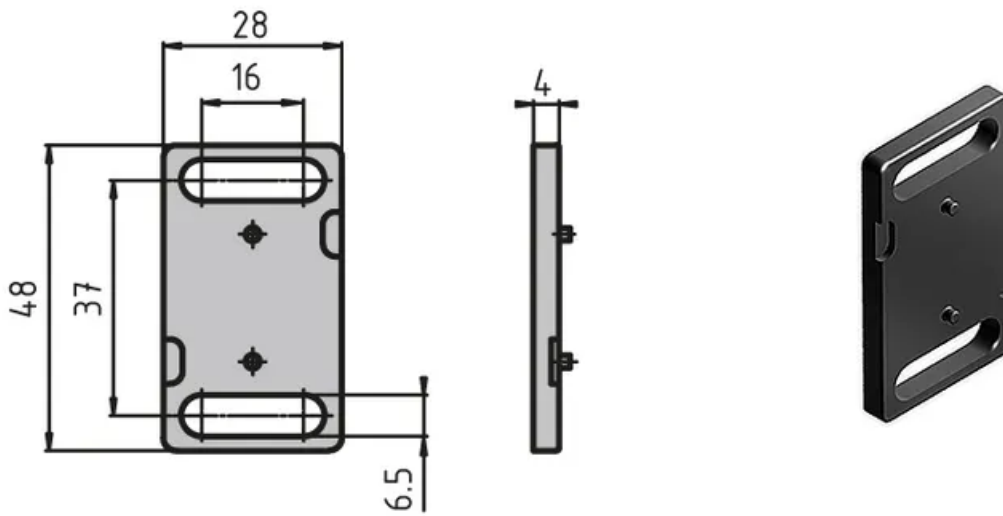
Mount: By M6 screw

Material: Black plastic (PA)

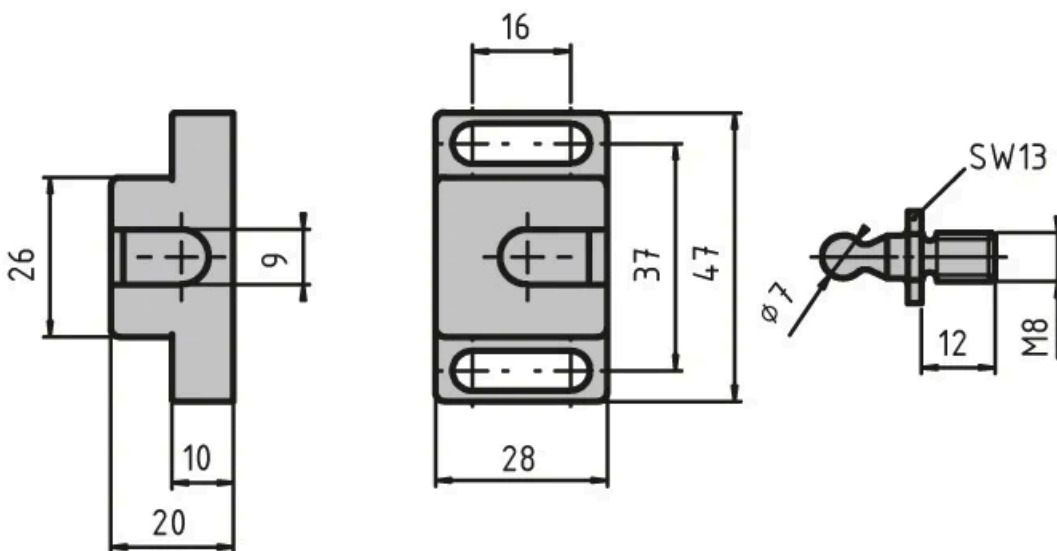
System: 30 - Slot 6; 40 - Slot 8

Type: Door Latches & Interlocks





General Data



| Designation | Description | Retaining screw | Locking force (N) |
|-------------|-----------------------|---------------------------|-------------------|
| RA5051 | Light-duty ball catch | M8 × 12, Galvanised steel | ~ 40 |
| RA5052 | Light-duty ball catch | M8 × 12, Stainless steel | ~ 40 |
| RA5053 | Heavy-duty ball catch | M8 × 12, Stainless steel | ~ 50 |

| Designation | Description | Retaining screw | Locking force (N) |
|-------------|-----------------------|---------------------------|-------------------|
| RA5054 | Heavy-duty ball catch | M8 × 12, Galvanised steel | ~ 50 |
| RA5055 | Ball catch spacer | - | - |