

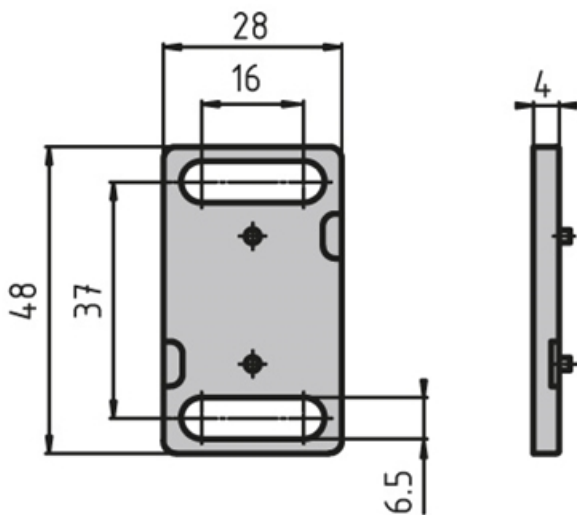
## Ball Catch

Quick acting door opener; adapts to the surface element thickness.

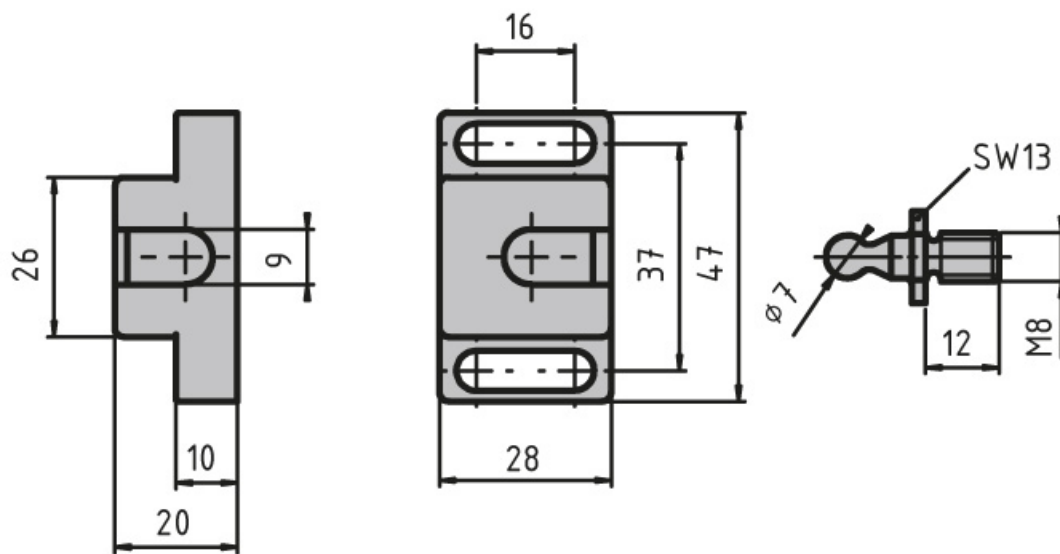
Mount: By M6 screw

Material: Black plastic (PA)

**System:** 40; 6; 5



## General Data



Designation	Description	Retaining screw	Locking force (N)
<b>PZ1615</b>	Light-duty ball catch	M8 × 12, Galvanised steel	~ 40
<b>PZ5052</b>	Light-duty ball catch	M8 × 12, Stainless steel	~ 40
<b>PZ5053</b>	Heavy-duty ball catch	M8 × 12, Stainless steel	~ 50
<b>PZ5054</b>	Heavy-duty ball catch	M8 × 12, Galvanised steel	~ 50
<b>PZ5055</b>	Ball catch spacer	-	-