

Door Lock PROe

Everything in hand. Door lock PROe with safety function. Secures safety doors and flaps up to Cat. 4/PLe. Fashionable, systematic design. Perfect choice for aluminium profiles.

PROe is a multifunctional door handle which secures and monitors guards such as doors and flaps of machines and systems. It consists of a handle and a locking module fitted with the tried and tested transponder-coded CES safety equipment supplied by EUCHNER. Using the transponder technology ensures a top safety level in conformity with EN ISO 13849-1 (Cat.4/PLe) and demands that everything is absolutely manipulation-proof.

The on-board CES AR data processor supports up to 20 PROe units connected in series. PROe features two obviously placed LEDs for status indication and fast diagnosis. Its compact and symmetrical design makes mounting on profiles easy and supports the use on doors hinged either on the left or right. The industry-standard metal housing has a stable door stop and is perfectly fit for use in rugged environments. An M12 connector ensures convenience of hooking up. Turn it by 180° to accommodate for differently routed cables. A lock protects PROe against being opened unintentionally. Easy and flexible installation without mechanical effort.

Easily and reliably locks doors and flaps; secured against disassembly when closed.

Eight-pin M12 connector for doors hinged on the left or right; connector outlet at the top or bottom;

24 V system voltage;

UL-certified; tested to B6;

Safety category 4; PLe

Material: Die-cast aluminium

Surface: Black powder coated

Mount: By M6 cheese head or fillister head screw at the front

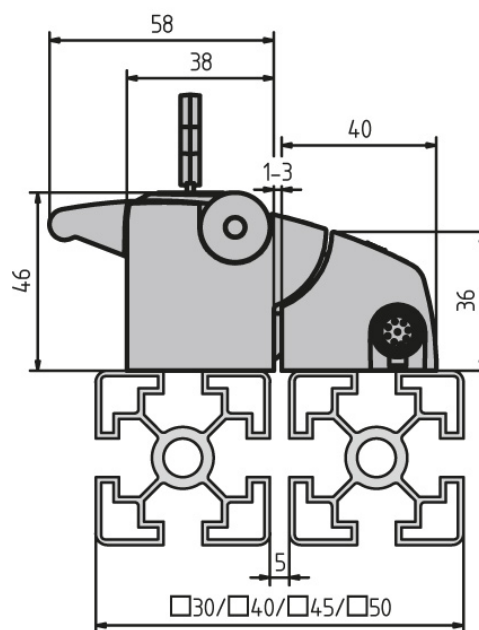
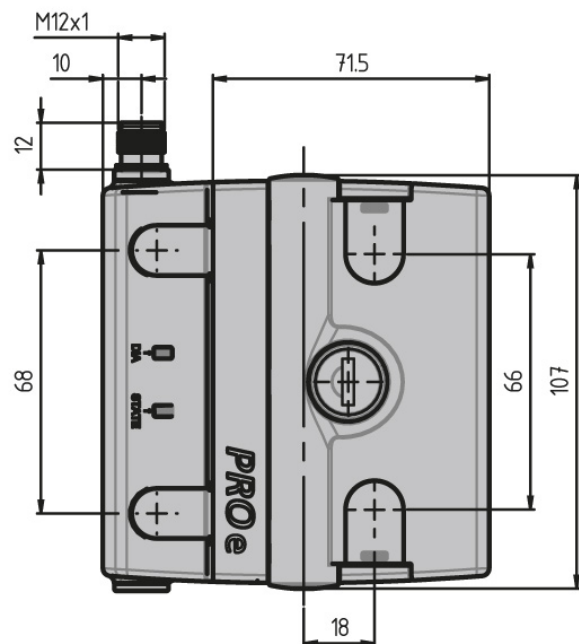
System: 40; 6



Door Lock PROe



Variant Data



Designation	Description	Weight (g)	Lock	Design
PZ5043	Door lock PROe unicode	380	Alike	-
PZ5044	Short-circuit plug	-	-	M12, 4-pin, male
PZ5045	M12 Y junction with connecting lead	-	-	"M12, 1 × 8-pin; 2 × 5-pin"
PZ5046	Y junction	-	-	"M12, 1 × 8-pin; 2 × 5-pin"
PZ5047	PVC connecting lead; 8-pin; open-ended cable	-	-	"M12; 5 m"
PZ5048	PVC connecting lead; 8-pin; open-ended cable	-	-	"M12; 10 m"
PZ5049	PVC connecting lead; 8-pin; open-ended cable	-	-	"M12; 20 m"