

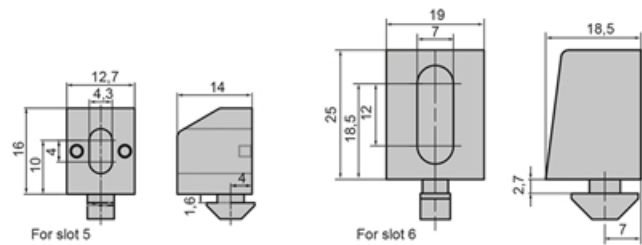
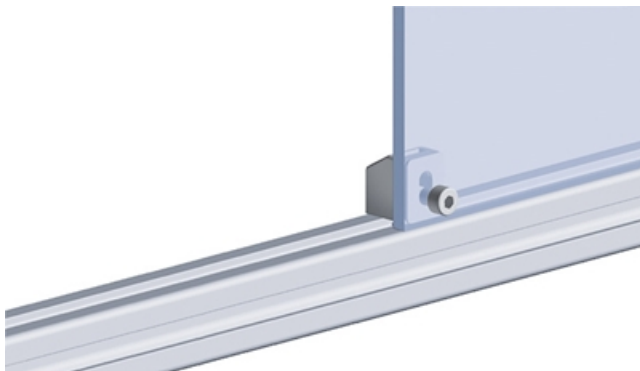
## Uniblock

Fastening surface elements to aluminium profiles made easy.

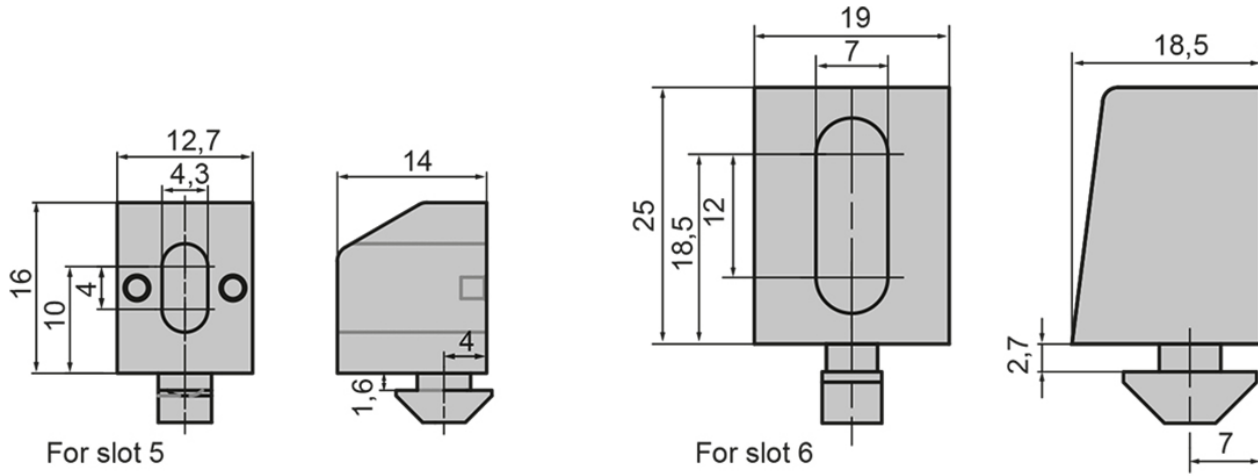
Material: Pad: Plastic (PA), fibreglass-reinforced.

Nut: Galvanised steel

**System:** 6; 5



**General Data**



Designation	Description	Slot
PZ4090	Uniblock 14 with M4 square nut	5
PZ5061	Uniblock 18 with M4 square nut	6
PZ5062	Uniblock 18 with M5 square nut	6
PZ5063	Uniblock 18 with M6 square nut	6