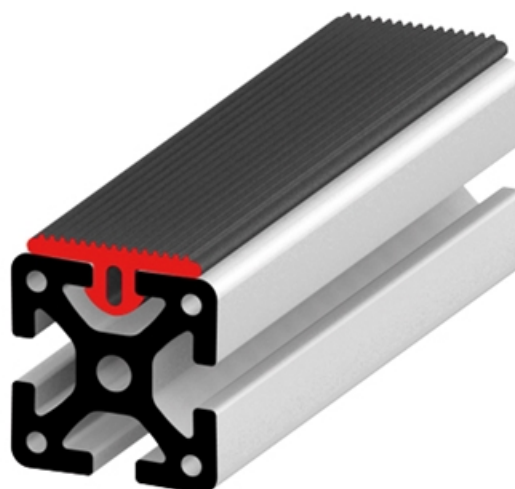


Cover Profile 16

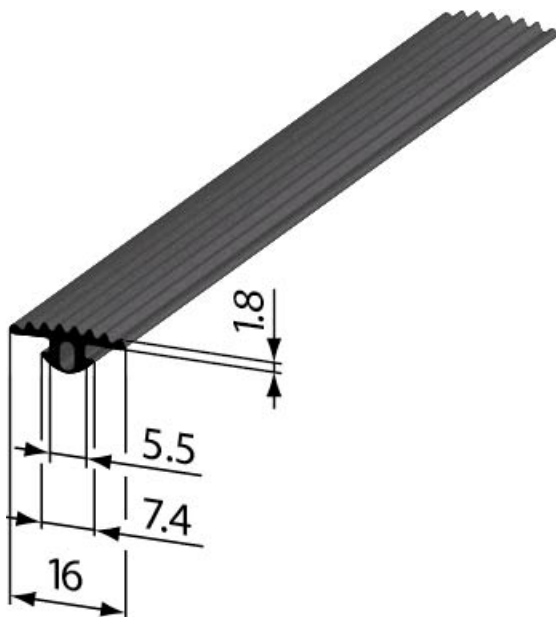
Application: Suitable for covering profile surfaces. The rubber material provides a non-slip surface.

Material: NBR, black, hardness 70° Shore A, oil and water resistant

System: 5



Variant Data



Designation	Description	Weight (g/m)
SZ1912S	Cover Profile 16 x 2.2	60