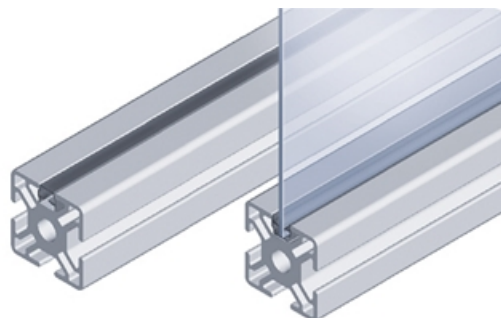


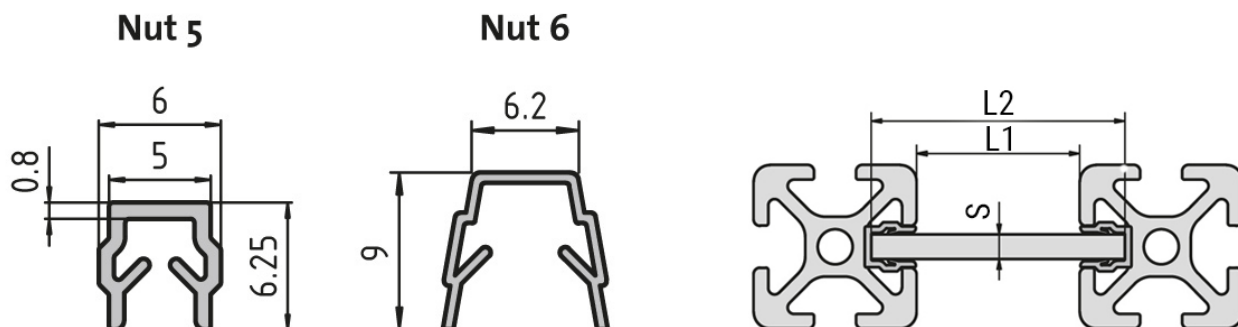
## Cover and Lining Profiles

For covering slots and lining surface elements.  
Clearance-free installation of surface elements up to 6 mm thick along the slot.  
Cables are firmly buried in the slot.  
Material: Plastic (PP & TPE)

**System:** 6; 5



## Variant Data



Designation	Description	Slot	ESD	L2	Length
<b>PZ4070</b>	Cover and lining profile, black RAL9005	5	-	L1 + 10	2000
<b>PA1214</b>	Cover and lining profile, black RAL9005	5	Yes	L1 + 10	2000
<b>PZ4065</b>	Cover and lining profile, natural	5	-	L1 + 10	2000
<b>PZ3075</b>	Cover and lining profile, black RAL9005	6	-	L1 + 17.5	2000
<b>PA1215</b>	Cover and lining profile, black RAL9005	6	Yes	L1 + 17.5	2000
<b>PA5116</b>	Cover and lining profile, light grey RAL7035	6	-	L1 + 17.5	2000
<b>PZ3076</b>	Cover and lining profile, natural	6	-	L1 + 17.5	2000

Designation	S
<b>PZ4070</b>	2-3
<b>PA1214</b>	2-3
<b>PZ4065</b>	2-3
<b>PZ3075</b>	2-4
<b>PA1215</b>	2-4
<b>PA5116</b>	2-4
<b>PZ3076</b>	2-4