

## Joint 30

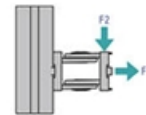
Joint with adjustable friction. Creates an articulated link between two profiles or surface elements; use the screw to infinitely vary the joint's friction resistance or to fasten the joint at a defined position.

Note: On-site mount.

**System: 6**

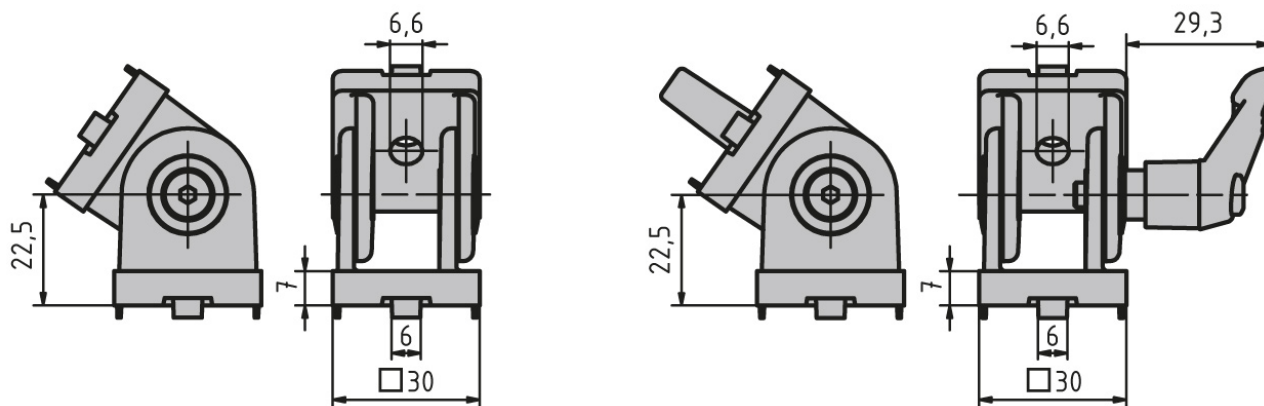


Joint loads



Type	F1 (N)	F2 (N)
Joint 20	500	200
Joint 30	6000	500

## Variant Data



Designation	Description	Material	Slot
PZ3200	Joint 30	Aluminium coloured die-cast zinc	6
PZ3205	Joint 30 with clamping lever	Aluminium coloured die-cast zinc	6