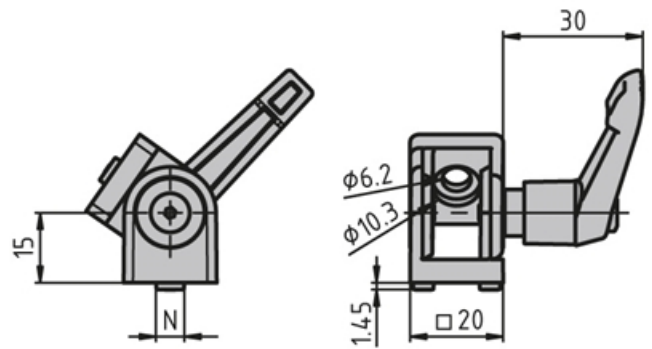


Joint 20

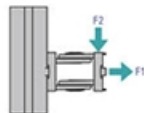
Joint with adjustable friction. Creates an articulated link between two profiles or surface elements; use the screw to infinitely vary the joint's friction resistance or to fasten the joint at a defined position.

Note: On-site mount.

System: 5

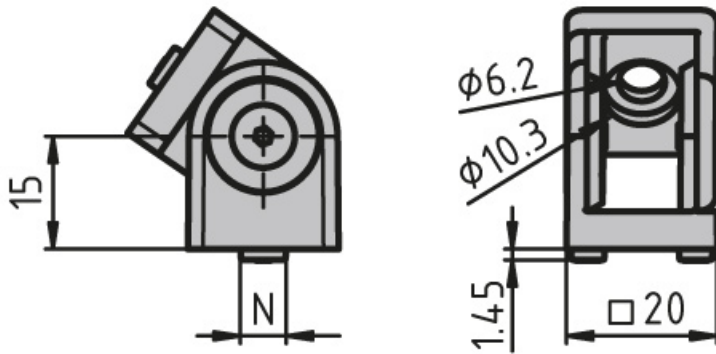


Joint loads



Type	F1 (N)	F2 (N)
Joint 20	500	200
Joint 30	6000	500

General Data



Designation	Description	Material	Slot
PZ4160	Joint 20	Aluminium coloured die-cast aluminium	5. 6
PZ4161	Joint 20 with clamping lever	Aluminium coloured die-cast aluminium	5. 6