

Combination Hinge of Stainless Steel

To hinge panels or aluminium profiles.

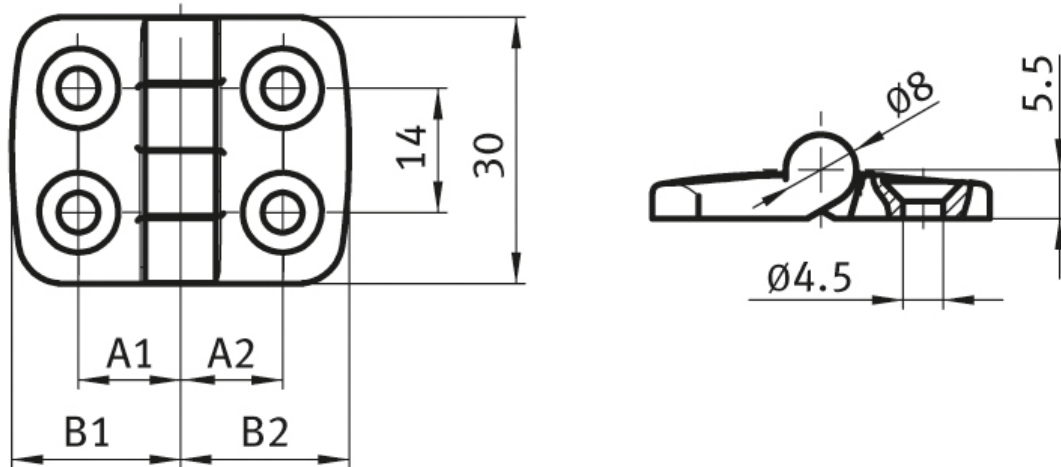
Material: Wing: Stainless steel SS316, Axle: Stainless steel SS430 F

On site mount: From the front, using M4 countersunk screws

System: 5



Variant Data



Designation	Description	Weight (g)	F _{Amax} (N)	F _{Rmax} (N)	A1/A2
PZ5235	Combination Hinge system 20, stainless steel	138	450	700	11.5/11.5

Designation	B1/B2
PZ5235	19/19