

Hinge System with Adjustable Friction

For surface elements and aluminium profiles; catch holds doors and flaps at any angle.

Infinitely adjustable at 0–5 Nm torque; can also be used to lift lightweight flaps.

Material: Wing = Plastic (PA), fibreglass reinforced; Pin = Stainless steel

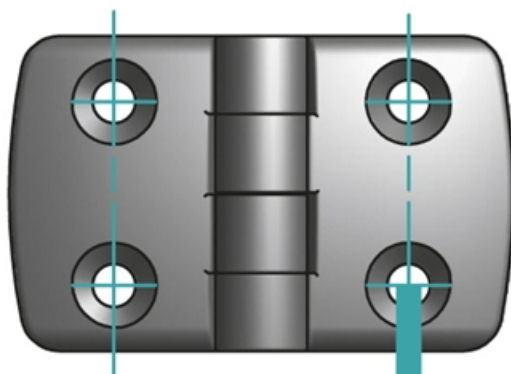
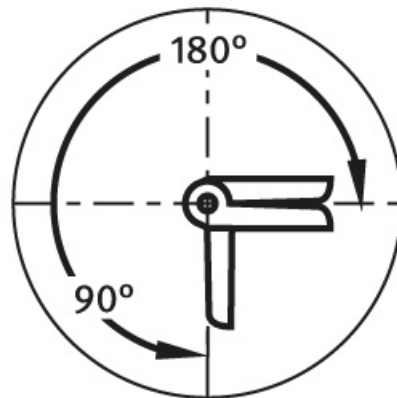
On-site mount

Slot 6 mount: 4× M6 × 12 cheese head screw (DIN6912)

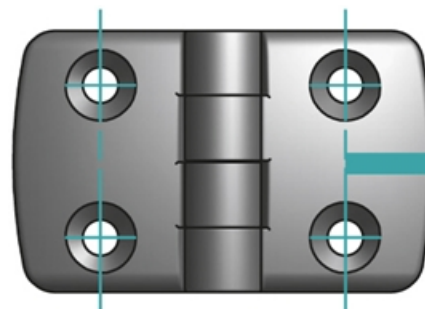
4× slot nut-

Colour: Black

System: 6

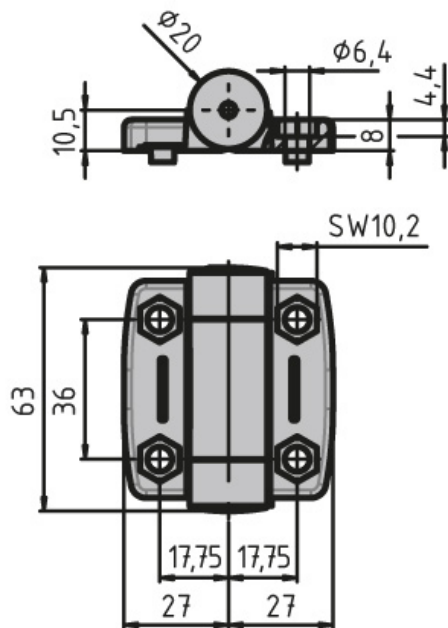


axial: F_{Amax}



radial:
 FR_{max}

Variant Data



System hinge 30

Designation	Description	Slot	F _{Amax} (N)	F _{Rmax} (N)	Friction Torque (Nm)
PZ5291	Hinge system 30 with adjustable friction	6	325	400	0-5