

## Hinge System with Catch

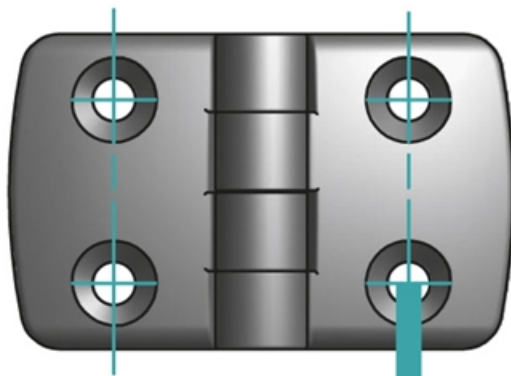
For surface elements and aluminium profiles with cap.  
Catch keeps doors and flaps open at 85° or 175° or reliably shut.

Material: Housing = Plastic (PA), fibreglass reinforced; Pin = Stainless steel

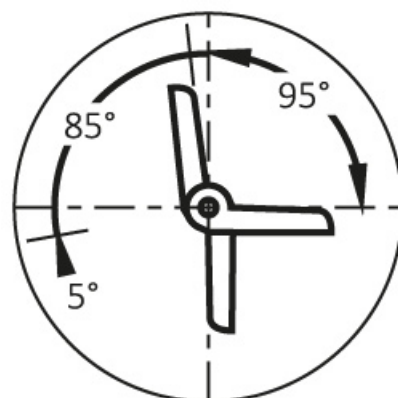
On-site mount: Mount, slot 6: 4× M6 × 12 cheese head screw (DIN6912) 4× slot nut.

Colour: Black

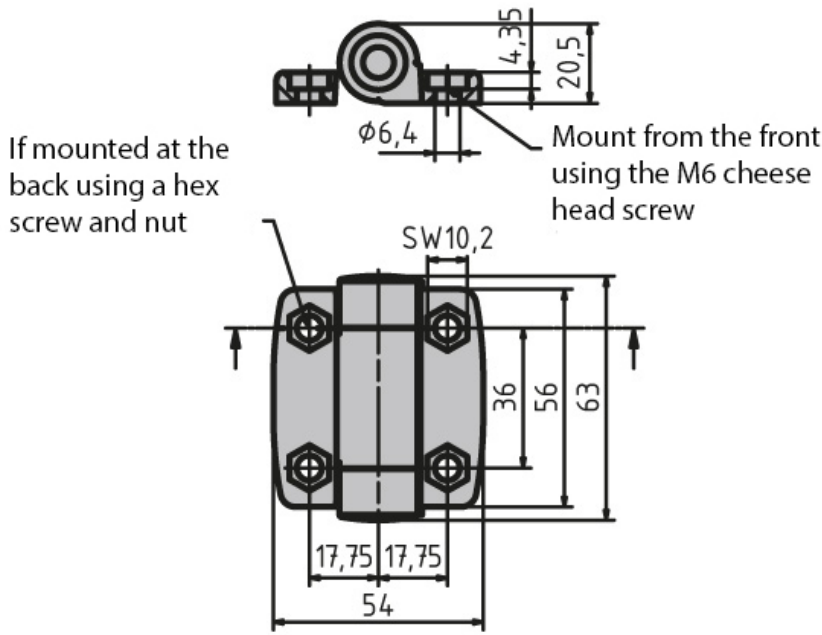
**System:** 6; 40



axial:  $F_{max}$



**Variant Data**



**System hinge 30**

Designation	Description	Slot	F <sub>Amax</sub> (N)	F <sub>Rmax</sub> (N)
PZ5314	Hinge system 30 & 40 with catch	6. 8	350	400