

## Motors for BF40

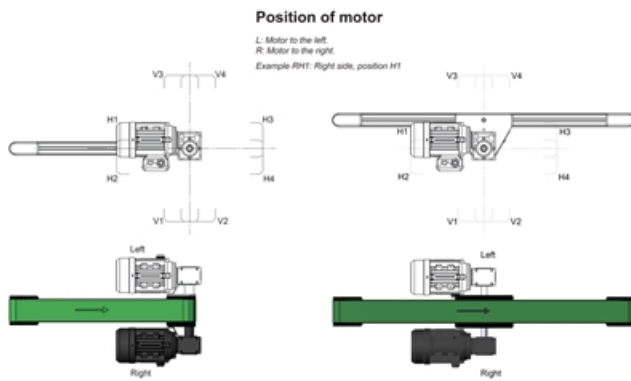
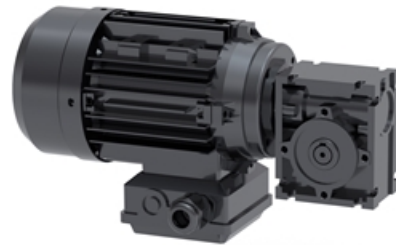
This is a selection of standard motors available for our BF40 series.

We can customise the drive shaft to accommodate many different motors and gear choices. Please contact Rollco for more information.

Dimensions in mm.

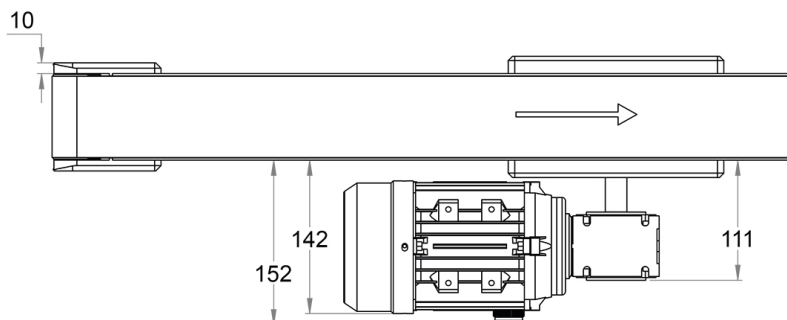
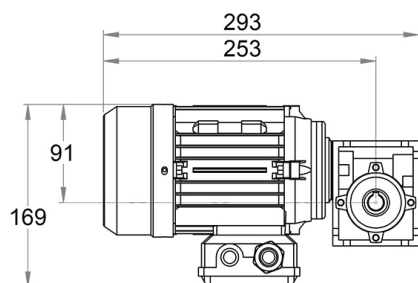
### NOTE!

Other motors and frequency converters are available on request. Individual motors are not tested. Motors and gears are not assembled to the unit.



## Variant Data

MS63/SB030 (BF40)



Designation	Voltage (V)	Power (kW)	Frequency (Hz)	Current (A)	Speed (rpm)
<b>MS63A-4</b>	230/400	0.12	50	0.82 / 0.47	1350
<b>MS63B-4</b>	230/400	0.18	50	1.18 / 0.68	1350
<b>MS63C-4</b>	230/400	0.25	50	1.58 / 0.91	1340
<b>ML63B-4</b>	230/400	0.18	50	1.36	1340

Designation	Protection class	Phase	Code
<b>MS63A-4</b>	IP55	3	1
<b>MS63B-4</b>	IP55	3	2
<b>MS63C-4</b>	IP55	3	3
<b>ML63B-4</b>	IP55	1	4