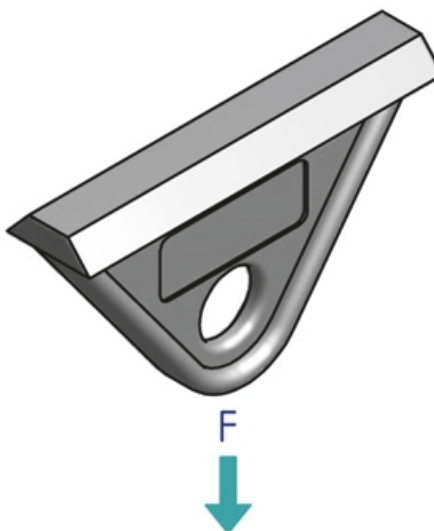


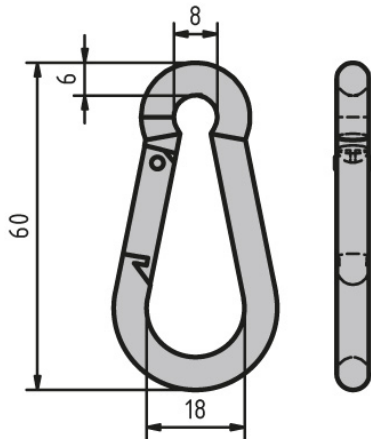
Snap Hook & Sliding Tool Hanger

Hang your tools and clear up your bench.
Cost-effective solution for sliding tool hangers.
Slides in the profile slot.
Slot nut can be used as stopper.
Material: Slide: Plastic (PA); fibreglass-reinforced /
galvanised steel

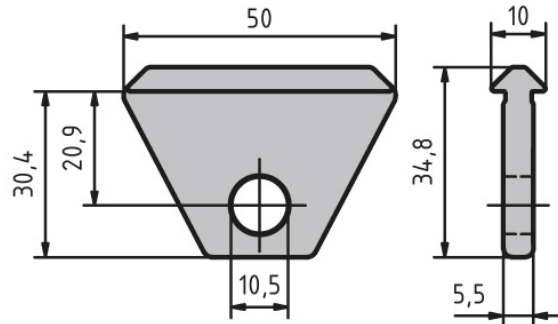
System: 6



General Data



Karabinerhaken



Nut 6

Designation	Material	Slot	H	F (N)
PZ1245	Galvanised steel	-	60	-
PZ5110	Stainless steel	-	80	-
PZ1250	Plastic (PA), fibreglass-reinforced	6	-	40