

## Mounting Angle

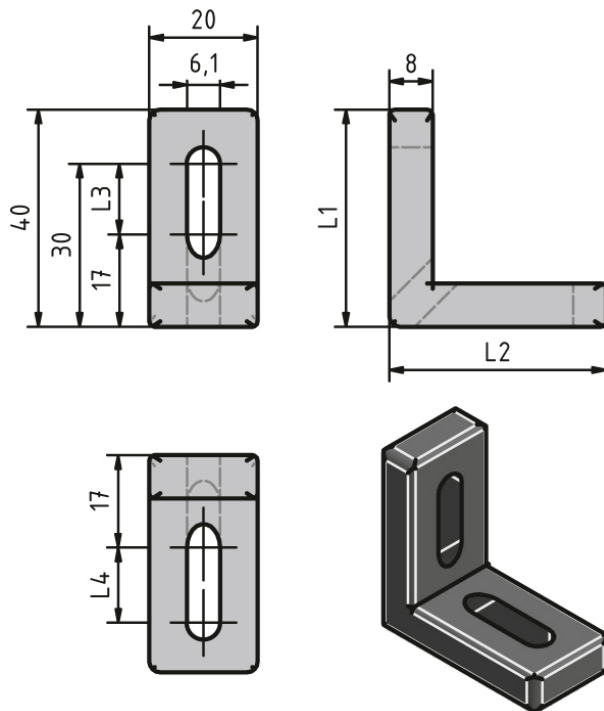
Variable angles for mounting components.  
Oblong holes provide a wide range of position and angle adjustment. Use up to M6 screws to attach them.

Material: Black die-cast zinc

**System:** 40; 6; 5



## Variant Data



Designation	L1	L2	L3	L4
<b>PZ1920</b>	40	40	13	13
<b>PZ1925</b>	60	40	33	13
<b>PZ9020</b>	60	60	33	33
<b>PZ1935</b>	80	40	53	13