

Steel Angle

Links two aluminium profiles at a right angle.

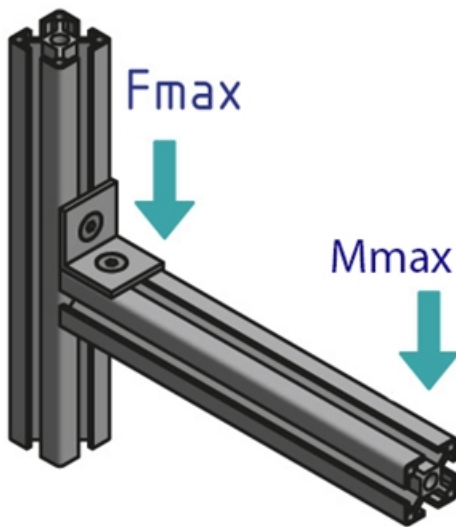
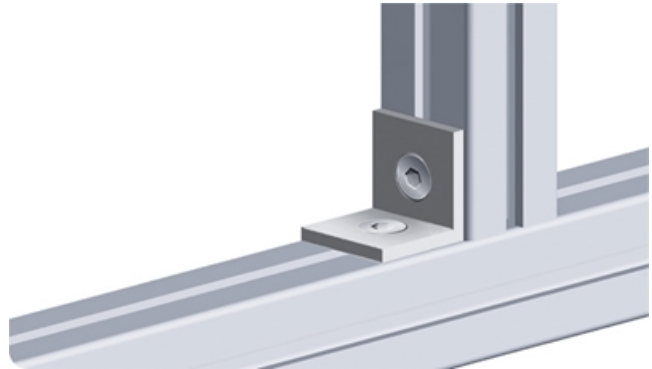
Note: To install the ESD-ready angles, use a notched slot nut in order to make a conductive link.

Mounting material On-site construction:

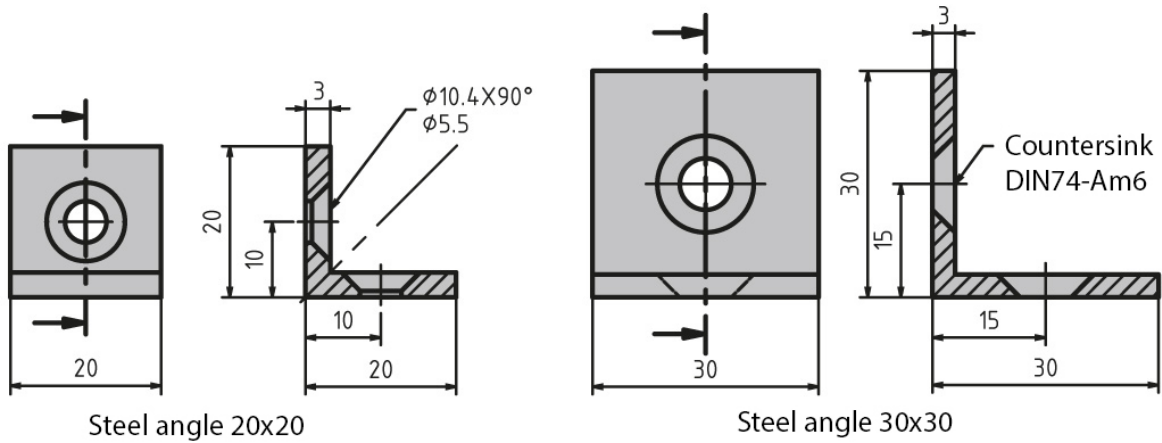
Angle 20: M5 × 8 countersunk screw (DIN7991), M5 slot 5 slot nut

Angle 30: M6 × 10 countersunk screw (DIN7991), M6 slot 6 slot nut

System: 6; 5



General Data



Steel angle 20x20

Steel angle 30x30

Designation	Material	ESD	Fmax (N)	Mmax (Nm)
PZ4045	Black powder coated steel	-	600	15
PZ3060	Steel, blue galvanised	Yes	1000	25
PZ3050	Black powder coated steel	-	1000	25