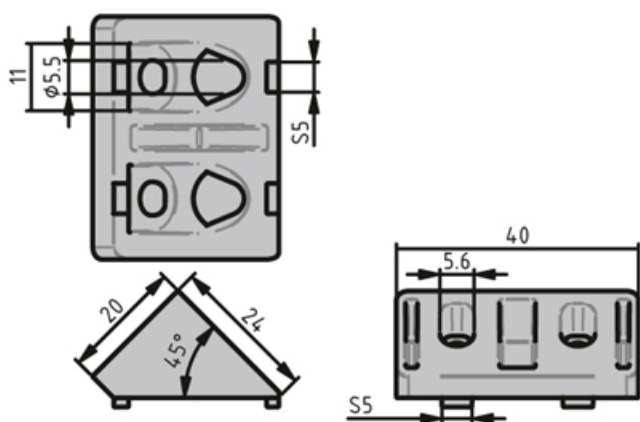
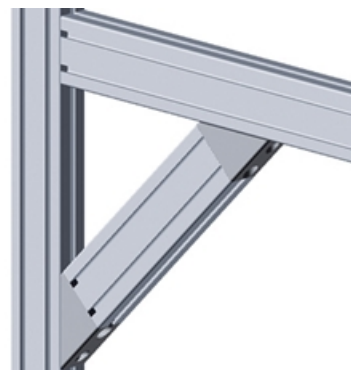


## Angle Joint

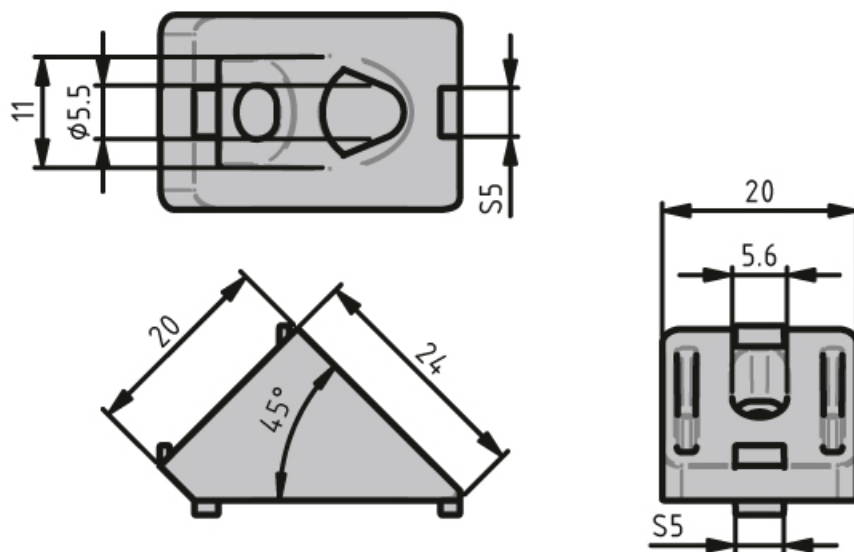
Easily links two aluminium profiles at a 45° angle using a M8 screw.

Note: To install the ESD-ready brackets, use a notched slot nut in order to make a conductive link.

**System: 5**



## Variant Data



Designation	Description	Material	Slot	ESD
PV1211	Angle joint 20 45°	Uncoated die-cast zinc	5	Yes
PV1212	Angle joint 20 45°	Aluminium coloured die-cast zinc	5	-
PV1213	Angle joint 40/20 45°	Uncoated die-cast zinc	5	Yes
PV1214	Angle joint 40/20 45°	Aluminium coloured die-cast zinc	5	-