

BF80E

This table shows a selection of BF80E standard conveyor sizes. Given speeds are based on using an MS71A-4 with the appropriate SB050 gear.

Recommended max. load 150 kg. The recommended max load is evenly spread over the entire conveyor and is in relation to a nominal width and length.

Dimensions in mm.

For other dimensions please contact Rollco.

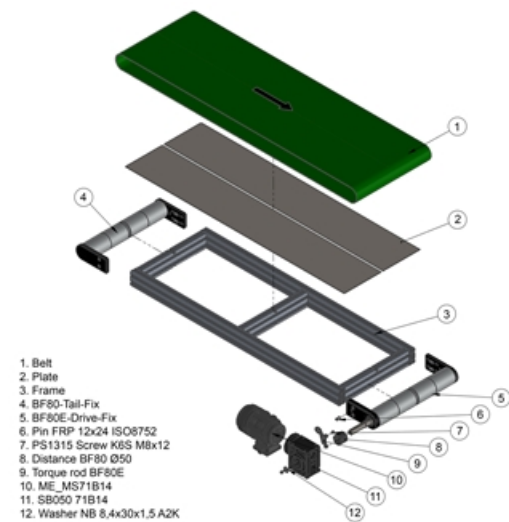
Length (mm): Up to 6000

Gear ratio (I): 10 / 15 / 20 / 25 / 30 / 40 / 50 / 60 / 80 / 100

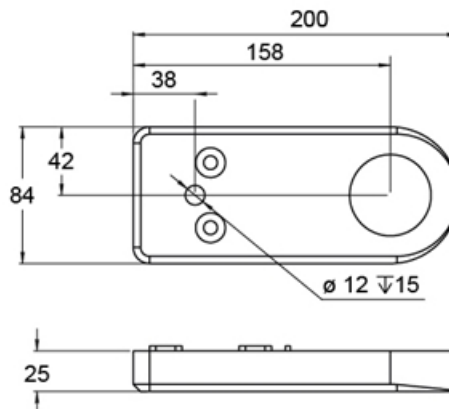
Speed (m/min): 36 (36.2) / 24 (24.3) / 18 (18.2) / 15 (14.5) / 12 (12.2) / 9 (9.3) / 7 (7.4) / 6 (6.1) / 5 (4.5) / 4 (3.7)

Drive side: Right/left

Motor position: Horizontal/vertical — 1-4

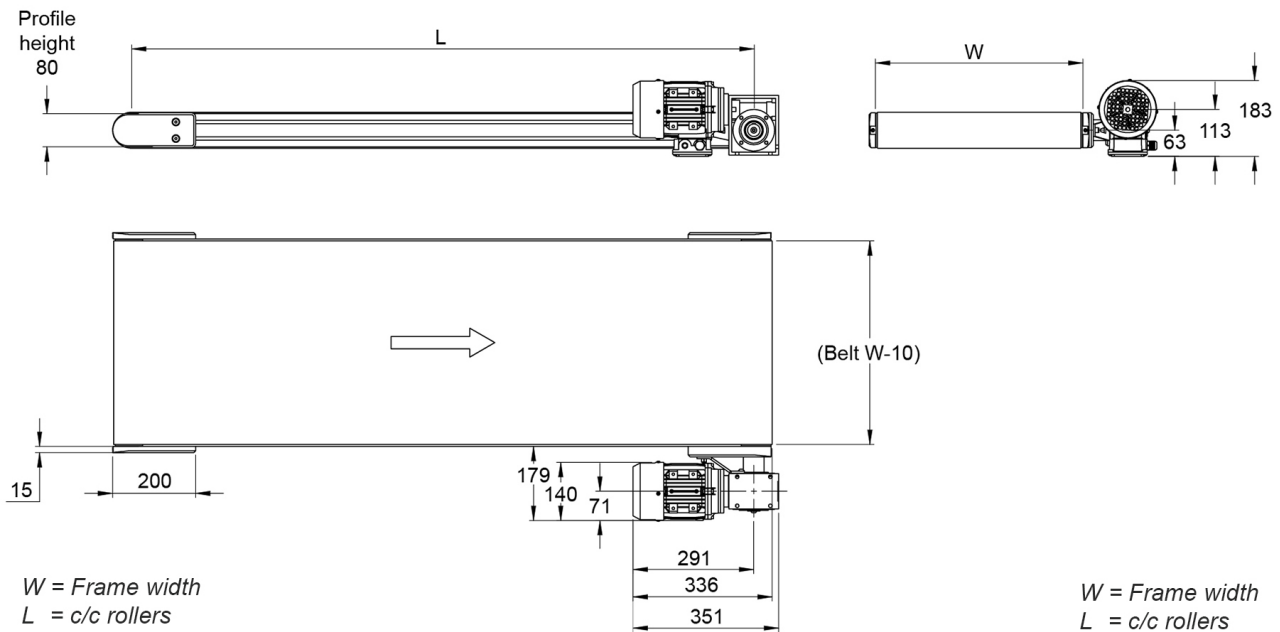


BF80E Drive holder



Gear ratio (I)	Speed (m/min)
10	36 (36,2)
15	24 (24,3)
20	18 (18,2)
25	15 (14,5)
30	12 (12,2)
40	9 (9,3)
50	7 (7,4)
60	6 (6,1)
80	5 (4,5)
100	4 (3,7)

Variant Data



Designation	Width (mm)
BF80E - 500	500
BF80E - 600	600
BF80E - 700	700
BF80E - 800	800
BF80E - 900	900
BF80E - 1000	1000