

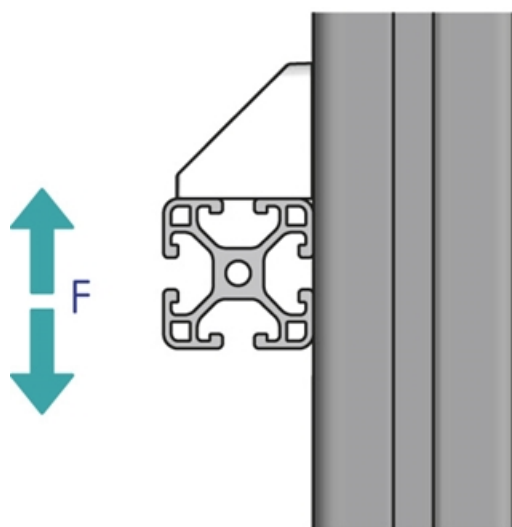
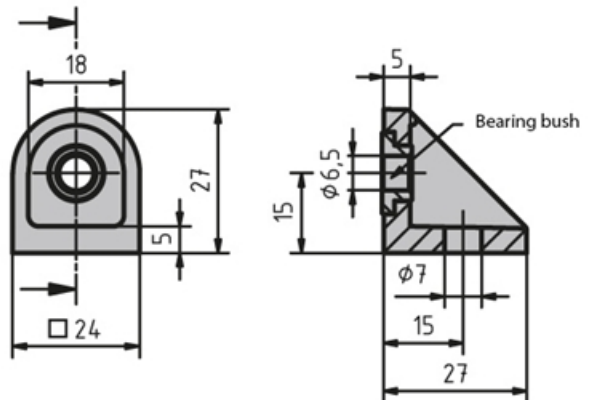
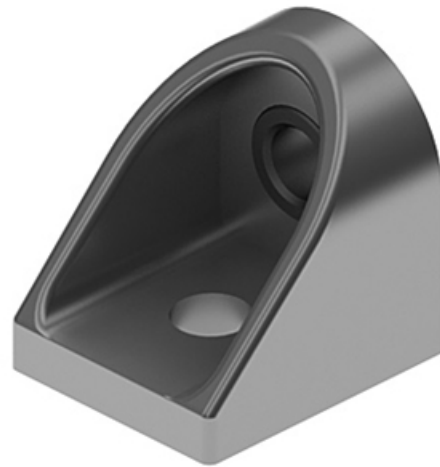
Articulated Brackets

Links two aluminium profiles at various angles.
The bearing bush ensures unrestricted rotation even when mounted.

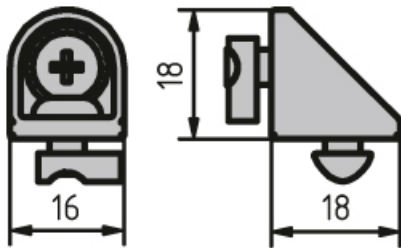
Material: Die-cast zinc

Note: To install the ESD-ready brackets, use a notched slot nut in order to make a conductive link.

System: 6; 5



Variant Data



Designation	Description	ESD	F (N)	Drill hole
PZ4170	Articulated bracket 20, aluminium coloured with M5 slot 5 slot nut, 1× M5 × 8 screw (ISO7380), 1× M5 × 10 flanged fillister head screw, 1× bearing bush	-	-	-
PZ5019	Articulated bracket 30, uncoated	Yes	800	for M6 screw
PZ3085	Articulated bracket 30, aluminium coloured	-	800	for M6 screw