

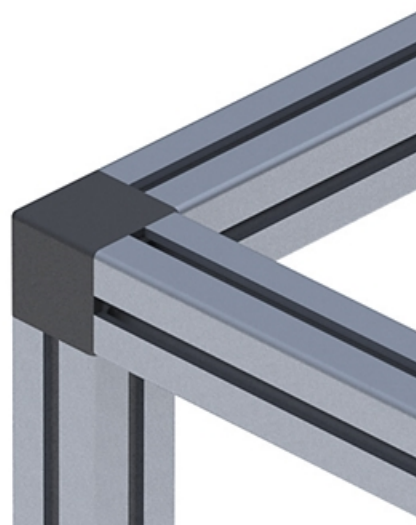
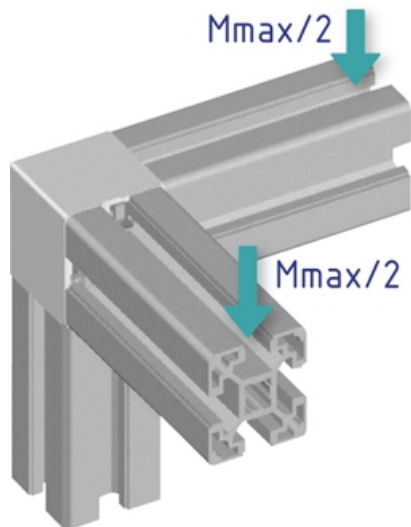
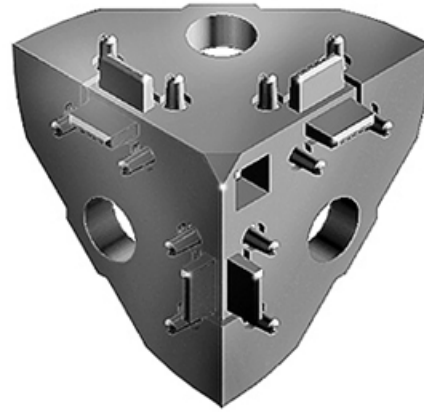
Corner Angle 30

Right-angled links between up to three square or semi-circular profiles of the same cross section. Square or round caps for protection against injury and dirt.

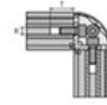
Material: Corner angle: Uncoated die-cast zinc
Caps: plastic (PA).

Note: The caps in the sets are not ESD-ready.

System: 6

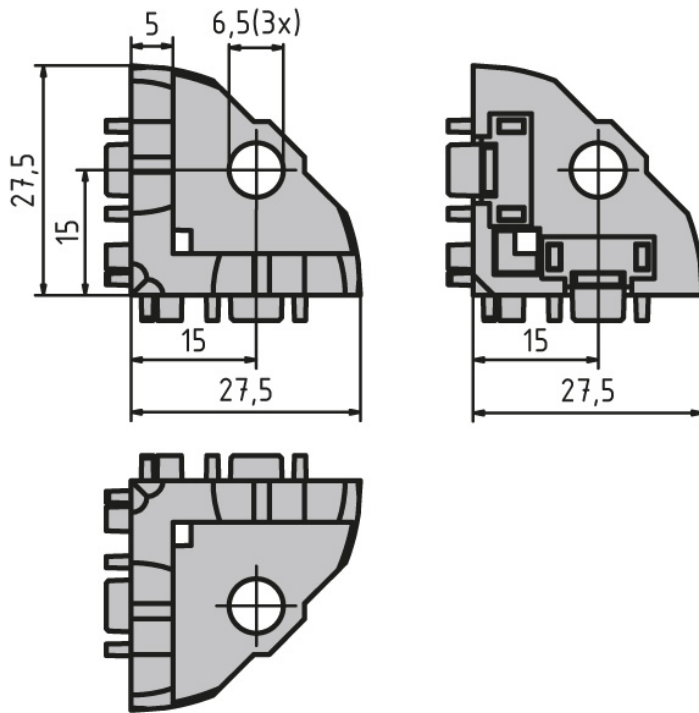


Corner Angle 30



Machining of corner angles	5	6
Thread (M)	M5	M5
Depth (T)	25 mm	25 mm

Variant Data



Designation	Description	Slot	F (Nm)	ESD
PZ5017	Corner angle 30 including 3 M6 × 16 screws (ISO 7380)	6	40	Yes
PV1076	Corner angle 30 including 3 M6 × 16 screws (ISO 7380) and square black cap	6	40	Yes
PZ5018	Corner angle 30 including 3 M6 × 16 screws (ISO 7380) and square grey cap (RAL7004)	6	40	Yes
PZ5298	Corner angle 30 including 3 M6 × 16 screws (ISO 7380) and round black cap	6	40	Yes
PA1208	Round black cap	6	-	-
PA1209	Square black cap	6	-	-
PA1210	Square grey cap (RAL7004)	6	-	-