

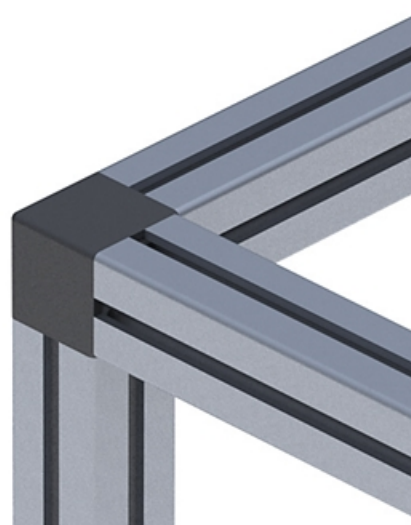
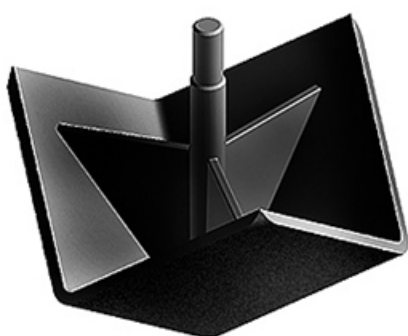
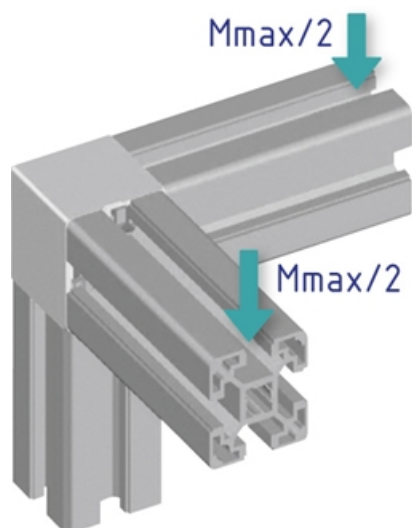
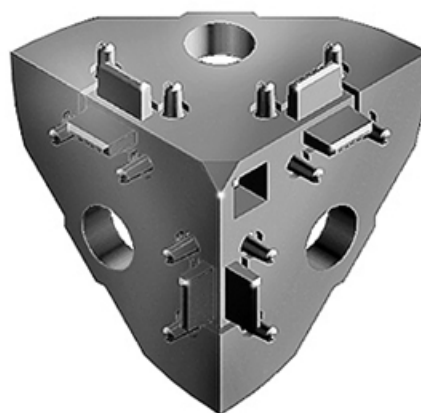
Corner Angle 20

Right-angled links between up to three square or semi-circular profiles of the same cross section. Square or round caps for protection against injury and dirt.

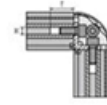
Material: Corner angle: Uncoated die-cast zinc
Caps: plastic (PA).

Note: The caps in the sets are not ESD-ready.

System: 5

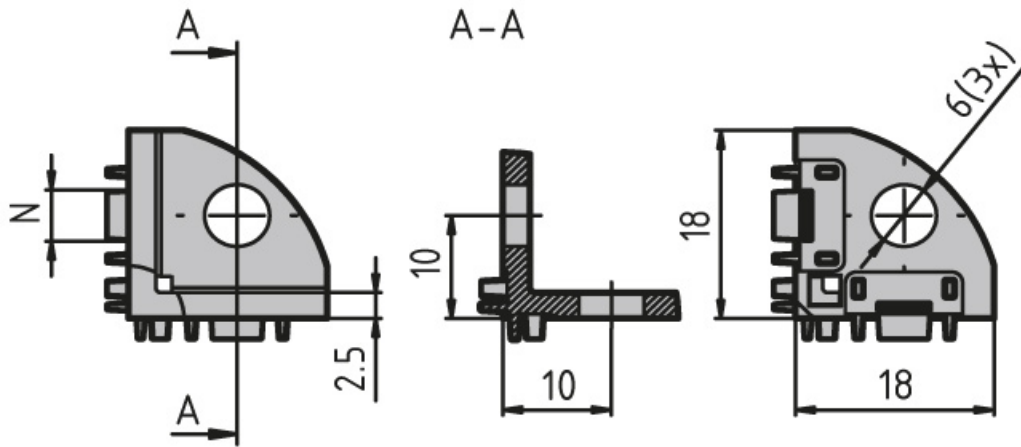


Corner Angle 20



Machining of corner angles	5	6
Thread (M)	M5	M5
Depth (T)	25 mm	25 mm

Variant Data



Designation	Description	Slot	F (Nm)	ESD
PZ5014	Corner angle 20 including 3 M5 × 12 screws (ISO 7380)	5	12	Yes
PZ5015	Corner angle 20 including 3 M5 × 12 screws (ISO 7380) and square black cap	5	12	Yes
PZ5016	Corner angle 20 including 3 M5 × 12 screws (ISO 7380) and round black cap	5	12	Yes
PA1206	Round black cap	-	-	-
PA1207	Square black cap	-	-	-